

## RLK8-810B4-A

### 4K PoE System for 24/7 Recording

- 4K 8MP Ultra HD
- Person/Vehicle Detection
- 2TB HDD 8-Channel NVR

## Specifications

<b>Hardware</b>	
Hardware	V2
<b>Video/Audio Input</b>	
IP Video Input	PoE IP camera x 8
Audio Input	Cameras with built-in mic
<b>Video/Audio Output</b>	
HDMI Output Resolution	
VGA Output Resolution	
Audio Output	1-channel, RCA
<b>Decoding</b>	
Video Format	H.264, H.265
Live View/Playback Resolution	7680×2160, 4608×1728, 4512×2512, 4096×3072, 3840×2160, 2560×2560, 2560×1920, 2560×1440, 2048×1536, 2304×1296, 1080p, 720p
Synchronous Playback	Up to 4 channels
<b>HDD</b>	

SATA	1 x SATA interface (1 x 2TB HDD included)
External HDD	1 eSATA interface for HDD
Capacity	Up to 12TB (max. 6TB capacity for each HDD)
<b>External Interface</b>	
USB Interface	2 x USB 2.0
Network Interface	<ul style="list-style-type: none"> <li>· 1, RJ-45 10/100 Mbps self-adaptive Ethernet interface for LAN/WAN</li> <li>· 8, RJ-45 10/100 Mbps self-adaptive PoE Ethernet interface for IP camera</li> </ul>
<b>PoE</b>	
Max. Power Per Port	25W
Supported Standard	IEEE 802.3af/at
<b>Network</b>	
Network Protocols	HTTP, TCP/IP, UDP, DHCP, P2P, UPNP, RTSP, SMTP, SSL/TLS, DNS, DDNS, NTP, FTP
Browsers Supported	Edge, Firefox, Chrome, Safari
OS Supported	PC: Windows, Mac OS; smartphone: iOS, Android
Max. User Access	20 users (1 admin account & 19 user accounts); supports up to 12 simultaneous video streams (10 substreams & 2 mainstreams)
<b>General</b>	
Power Supply	DC 48V~53V
Power Consumption	<10W (without HDD & PoE)
Working Environment	Temperature: -10°C~+45°C (14°F~113°F); humidity: 10%~90%
Dimensions	260 x 41 x 230mm
Weight	1.4kg
<b>Warranty</b>	

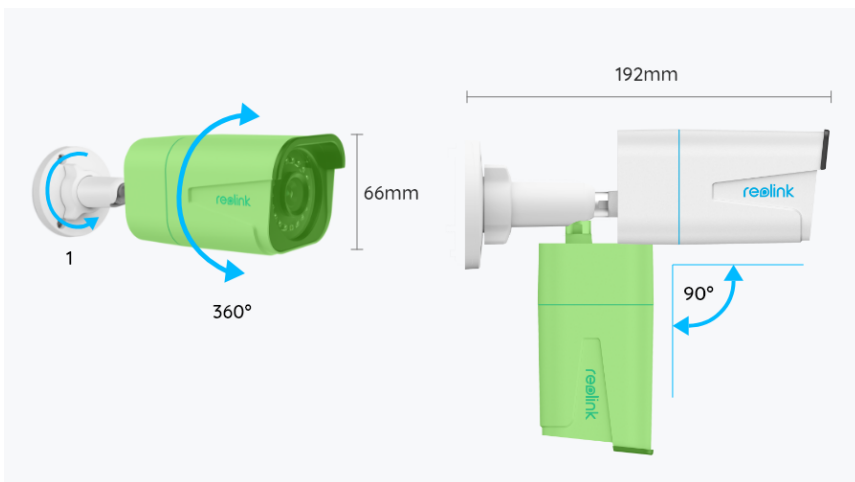
Limited Warranty

2-year limited warranty. For support, visit <https://support.reolink.com/hc/en-us/>.

## Gallery & Specs



1. Mount
2. Metal Aluminum Case
3. 18 IR LEDs
4. High Definition Lens (f=4.0mm)
5. Daylight Sensor



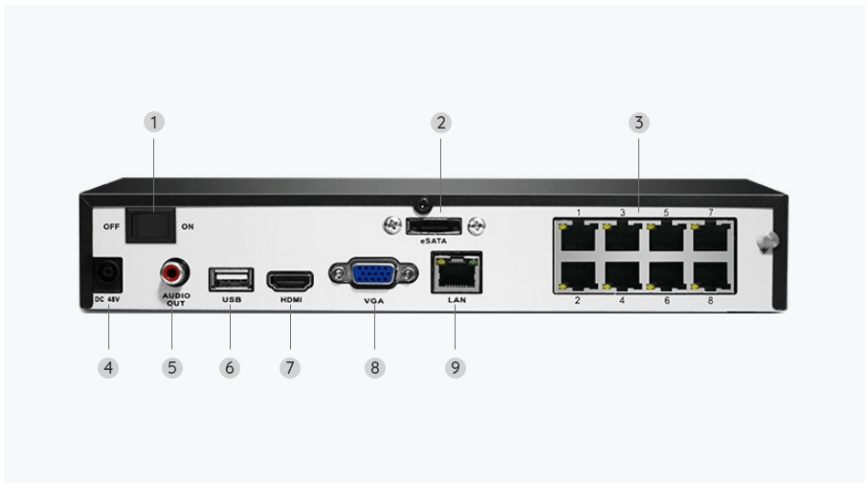
1. Unscrew it (counterclockwise) to loosen the bracket and adjust the camera in any direction.  
2. After adjustment, twist it back to fix the camera.



1. Power
2. Reset Button
3. Network
4. Waterproof Lid



1. USB Port
2. Power LED/HDD LED
3. Control Panel



1. On/Off Switch
2. eSATA
3. RJ45
4. Power Input
5. Audio Out
6. USB Port
7. HDMI Port
8. VGA Port
9. Network



1. Mount
2. Metal Aluminum
3. 18 IR LEDs
4. High Definition Lens (f=4.0 mm)
5. Daylight Sensor