

RLK8-810B4-A

4K PoE System for 24/7 Recording

- 4K 8MP Ultra HD
- Person/Vehicle Detection
- 2TB HDD 8-Channel NVR

Specifications

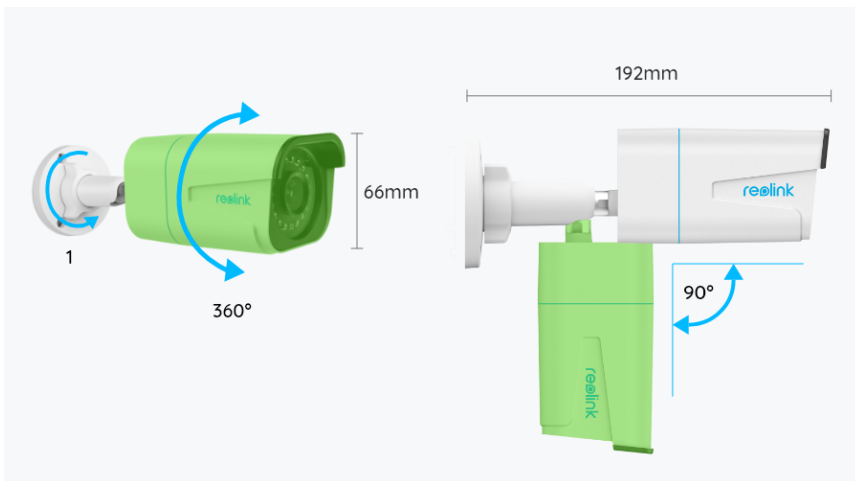
Video & Audio	
Image Sensor	1/2.49" CMOS Sensor
Video Resolution	3840x2160 (8.0 Megapixels) at 25 frames/sec
Lens	f=4.0mm fixed; F=2.0, with IR-cut filter
Video Compression	H.265
Field of View	• Horizontal: 87° • Vertical: 44°
Day & Night	Auto-switching IR-cut filter
Night Vision	30 meters (100ft) (LED: 18pcs/14mil/850nm)
Audio	Audio recording
Power	
PoE	IEEE 802.3af, 48V Active
DC Power	DC 12.0V 1A, <12W
Interface	
Power	DC power port
System	Reset button

Ethernet	One 10M/100Mbps; RJ45
Storage	
Audio	Built-in microphone
Software Features	
Frame Rate	• Mainstream: 2fps - 25fps (default: 25fps) • Substream: 4fps - 15fps (default: 10fps)
Code Rate	• Mainstream: 4096Kbps - 8192Kbps (default: 6144Kbps) • Substream: 64Kbps - 512Kbps (default: 256Kbps)
Browser Supported	
OS Supported	
Smart Alarm	• Mainstream: 4096Kbps - 8192Kbps (default: 6144Kbps) • Substream: 64Kbps - 512Kbps (default: 256Kbps)
Record Mode	Motion-triggered recording (default); scheduled recording; 24/7 recording
Protocol & Standard	
Maximal User Access	
Smart Home	
Working Environment	
Temperature	Operating temperature: -10°C - +55°C (14°F - 131°F)
Humidity	Operating humidity: 10% - 90%
Waterproof	IP67
Size & Weight	
Dimensions	Φ192*66mm
Weight	488g
Warranty	
Limited Warranty	2-year limited warranty. For support, visit https://support.reolink.com/hc/en-us/

Gallery & Specs



1. Mount
2. Metal Aluminum Case
3. 18 IR LEDs
4. High Definition Lens (f=4.0mm)
5. Daylight Sensor



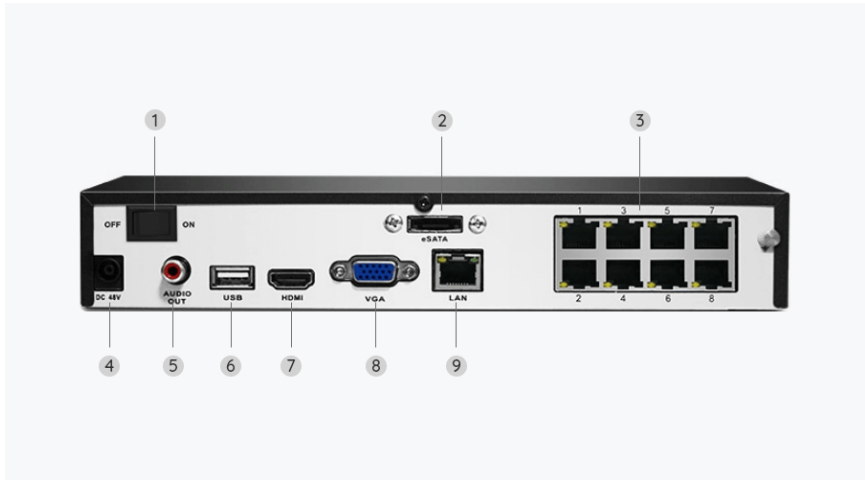
1. Unscrew it (counterclockwise) to loosen the bracket and adjust the camera in any direction.
2. After adjustment, twist it back to fix the camera.



1. Power
2. Reset Button
3. Network
4. Waterproof Lid



1. USB Port
2. Power LED/HDD LED
3. Control Panel



1. On/Off Switch
2. eSATA
3. RJ45
4. Power Input
5. Audio Out
6. USB Port
7. HDMI Port
8. VGA Port
9. Network



1. Mount
2. Metal Aluminum
3. 18 IR LEDs
4. High Definition Lens (f=4.0 mm)
5. Daylight Sensor