

## RLK8-810B4-A

### 4K PoE System for 24/7 Recording

- 4K 8MP Ultra HD
- Person/Vehicle Detection
- 2TB HDD 8-Channel NVR

## Specifications

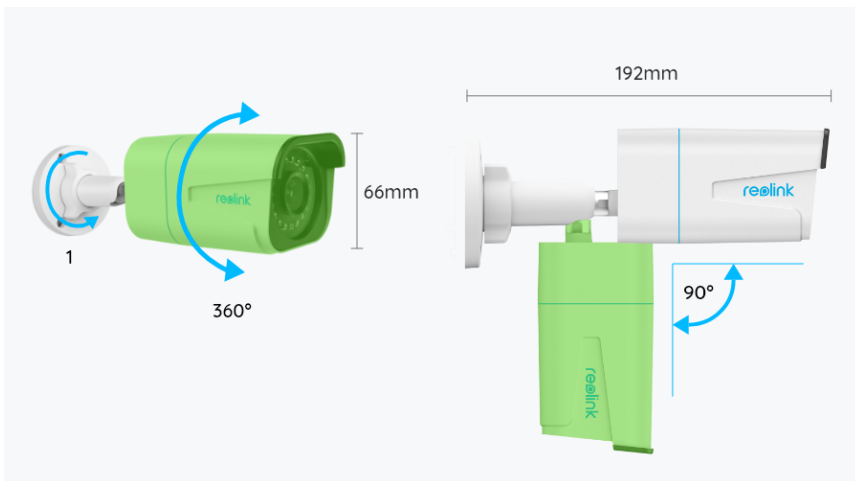
| Video & Audio             |  |
|---------------------------|--|
| Image Sensor              | 1/2.49" CMOS Sensor  |
| Video Resolution          | Default: 3840X2160 (8 megapixels) @20FPS   |
| Lens                      | f=4.0 mm fixed, F=2.0, with IR cut   |
| Video Compression         | H.265  |
| Field of View             | • Horizontal: 87° • Vertical: 44°  |
| Day & Night               | IR-cut filter with auto-switching  |
| Night Vision              | 30 meters (100ft) (LED: 18pcs/14mil/850nm)   |
| Frame Rate                | • Mainstream: 2fps - 20fps (default: 20fps) • Substream: 4fps - 15fps (default: 10fps)                 |
| Code Rate                 | • Mainstream: 4096Kbps - 8192Kbps (default: 6144Kbps) • Substream: 64Kbps - 512Kbps (default: 256Kbps) |
| Audio                     | Audio recording  |
| Detection/Recording Modes |  |
| Smart Alarms              | Person detection/vehicle detection/motion detection  |

|                            |   |
|----------------------------|---|
| Recording Modes            | Motion-triggered recording (default), scheduled recording, 24/7 recording   |
| <b>Power</b>               |   |
| PoE                        | IEEE 802.3af, 48V Active  |
| DC Power                   | DC 12.0V $\frac{2}{3}$ 1A, <12W   |
| <b>Interface</b>           |   |
| Power                      | DC power port   |
| System                     | Reset button  |
| Ethernet                   | One 10M/100Mbps RJ45  |
| Audio                      | Built-in microphone   |
| <b>Working Environment</b> |   |
| Temperature                | Operating temperature: -10°C~+55°C (14°F~131°F)   |
| Humidity                   | Operating humidity: 10% ~ 90%   |
| Waterproof                 | IP67  |
| <b>Size &amp; Weight</b>   |   |
| Dimensions                 | Φ66 x 192mm   |
| Weight                     | 485g  |
| <b>Warranty</b>            |   |
| Limited Warranty           | 2-year limited warranty. For support, visit <a href="https://support.reolink.com/hc/en-us/">https://support.reolink.com/hc/en-us/</a> |

## Gallery & Specs



1. Mount
2. Metal Aluminum Case
3. 18 IR LEDs
4. High Definition Lens (f=4.0mm)
5. Daylight Sensor



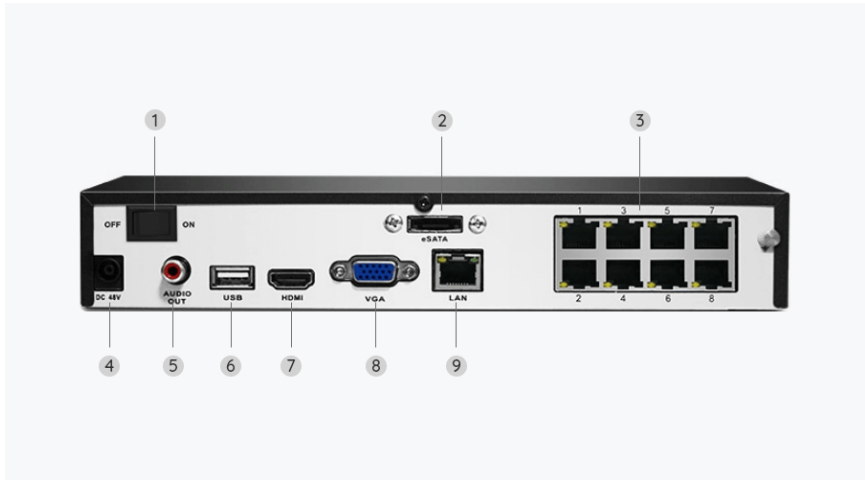
1. Unscrew it (counterclockwise) to loosen the bracket and adjust the camera in any direction.  
2. After adjustment, twist it back to fix the camera.



1. Power
2. Reset Button
3. Network
4. Waterproof Lid



1. USB Port
2. Power LED/HDD LED
3. Control Panel



1. On/Off Switch
2. eSATA
3. RJ45
4. Power Input
5. Audio Out
6. USB Port
7. HDMI Port
8. VGA Port
9. Network



1. Mount
2. Metal Aluminum
3. 18 IR LEDs
4. High Definition Lens (f=4.0 mm)
5. Daylight Sensor