

## RLK8-510B4-A

### 5MP Person/Vehicle Detection Security Camera System; 2TB HDD 8-Ch NVR for 24/7 Recording

- Person/Vehicle Detection
- 5MP Super HD
- 2TB HDD 8-Channel NVR

## Specifications

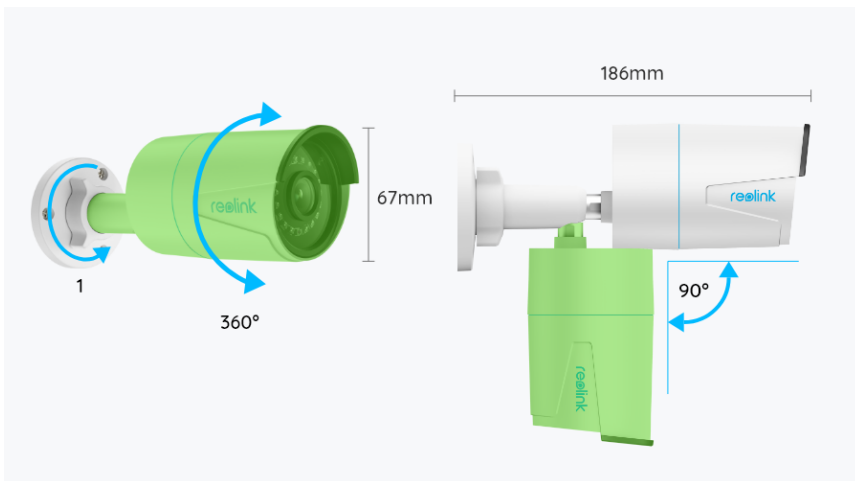
<b>Video &amp; Audio</b>	
Image Sensor	1/2.7" CMOS Sensor
Video Resolution	2560x1920 (5.0 Megapixels) at 30 frames/sec
Lens	f=4.0mm fixed; F=2.0, with IR-cut filter
Video Compression	H.264
Field of View	• Horizontal: 80° • Vertical: 42°
Day & Night	Auto-switching with IR-cut filter
Night Vision	Up to 30 meters (100ft) (LED: 18pcs/14mil/850nm)
Audio	Audio recording
<b>Power</b>	
PoE	IEEE 802.3af, 48V Active
DC Power	DC 12.0V 1A, <12W
<b>Interface</b>	
Power	DC power port

System	Reset button
Ethernet	One 10M/100Mbps; RJ45
Storage	
Audio	Built-in microphone
<b>Software Features</b>	
Frame Rate	· Mainstream: 2fps - 30fps (default: 30fps) · Substream: 4fps - 15fps (default: 10fps)
Code Rate	· Mainstream: 1024Kbps - 8192Kbps (default: 6144Kbps) · Substream: 64Kbps - 512Kbps (default: 256Kbps)
Browser Supported	
OS Supported	
Smart Alarm	Person detection; vehicle detection; motion detection
Record Mode	Motion-triggered recording (default); scheduled recording; 24/7 recording
Protocol & Standard	
Maximal User Access	
Smart Home	
<b>Working Environment</b>	
Temperature	Operating temperature: -10°C - +55°C (14°F - 131°F)
Humidity	Operating humidity: 10% - 90%
Waterproof	IP66
<b>Size &amp; Weight</b>	
Dimensions	Φ186*67mm
Weight	415g
<b>Warranty</b>	
Limited Warranty	2-year limited warranty. For support, visit <a href="https://support.reolink.com/hc/en-us/">https://support.reolink.com/hc/en-us/</a>

## Gallery & Specs



1. Mount
2. Metal Aluminum Case
3. 18 IR LEDs
4. High Definition Lens (f=4.0mm)
5. Daylight Sensor



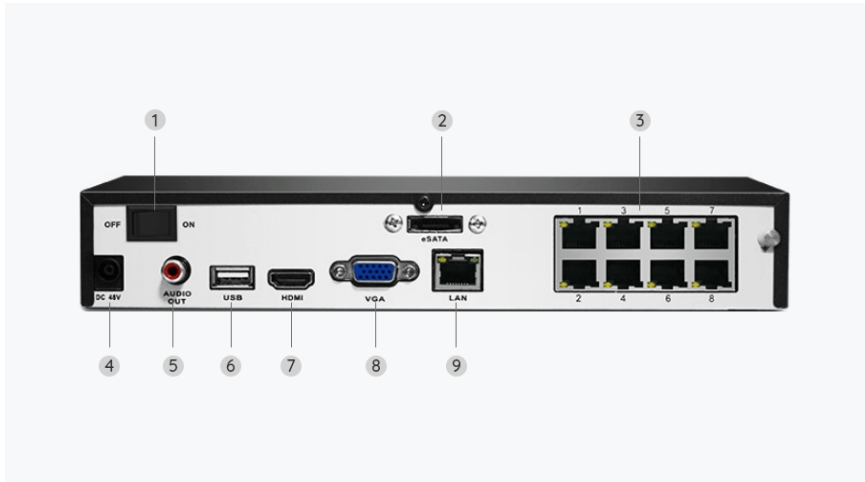
1. Unscrew it (counterclockwise) to loosen the bracket and adjust the camera in any direction.  
2. After adjustment, twist it back to fix the camera.



1. Power
2. Reset Button
3. Network
4. Waterproof Lid



1. USB Port
2. Power LED/HDD LED
3. Control Panel



1. On/Off Switch
2. eSATA
3. RJ45
4. Power Input
5. Audio Out
6. USB Port
7. HDMI Port
8. VGA Port
9. Network

[www.reolink.com](http://www.reolink.com)