

RLK16-811B8-A

4K PoE security system with 5X Optical Zoom; 4TB HDD 16-Ch NVR for 24/7 recording.

- 4K UHD & 5X Optical Zoom
- Person/Vehicle Detection
- 4TB HDD 16-Channel NVR

Specifications

Video & Audio	
Image Sensor	1/2.8" CMOS Sensor
Video Resolution	Default: 3840 x 2160 (8.0 megapixels) at 25 frames/sec
Lens	f=2.7-13.5mm F=1.6-3.3, with IR cut
Optical Zoom	
Video Compression	H.265
Field of View	• Horizontal: 105°- 31° • Vertical: 55°- 17°
Day & Night	Auto-switching with IR-cut filter
Infrared Night Vision	Up to 30 meters (IR LED: 4pcs/28mil/850nm)
Color Night Vision	Spotlight: 5pcs/4W/6500K/450 lumens
Audio	Two-way audio
Power	
PoE	IEEE 802.3af, 48V active
DC Power	DC 12.0V 3A, <12W
Interface	

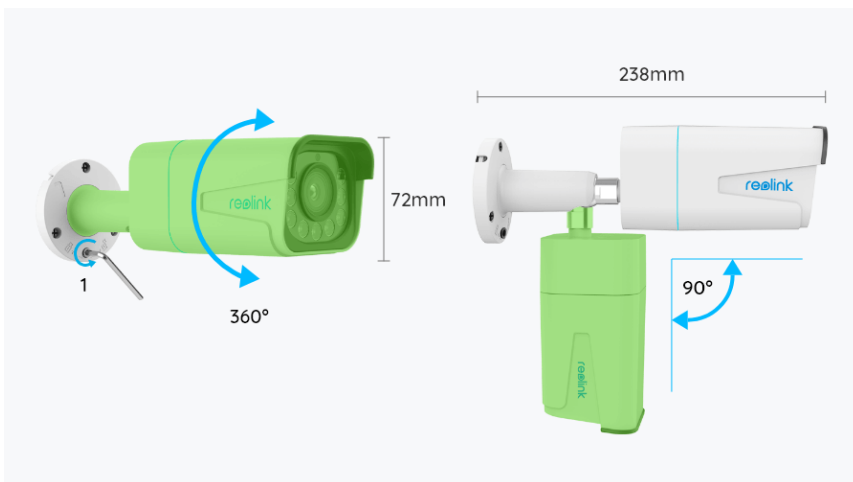
Power	DC power port
System	Reset button
Ethernet	One 10M/100Mbps; RJ45
Storage	Micro SD card slot (Max. 256GB)
Audio	Built-in microphone and speaker
Software Features	
Frame Rate	· Mainstream: 2fps - 25fps (default: 25fps) · Substream: 4fps - 15fps (default: 10fps)
Code Rate	· Mainstream: 4096Kbps - 8192Kbps (default: 6144Kbps) · Substream: 64Kbps - 512Kbps (default: 256Kbps)
Browsers Supported	Edge, Chrome, Firefox, Safari
OS Supported	PC: Windows, Mac OS; Smartphone: iOS, Android
Smart Alarm	Motion detection; person detection; vehicle detection; pet detection
Record Mode	Motion recording (default); scheduled recording; 24/7 recording
Protocols & Standards	HTTPS, SSL, TCP/IP, UDP, HTTP, IPv4, UPnP, RTSP, RTMP, SMTP, NTP, DHCP, DNS, DDNS, FTP, P2P
Maximal User Access	20 users (1 admin account & 19 user accounts); up to 12 simultaneous video streams (10 substreams & 2 mainstreams)
Work with	Google Assistant
Working Environment	
Temperature	Operating temperature: -10°C~+55°C (14°F~131°F)
Humidity	Operating humidity: 10% ~ 90%
Waterproof	IP66
Size & Weight	
Dimensions	80 x 72 x 238mm

Weight	838g
Warranty	
Limited Warranty	2-Year limited warranty. For support, visit https://support.reolink.com/hc/en-us/

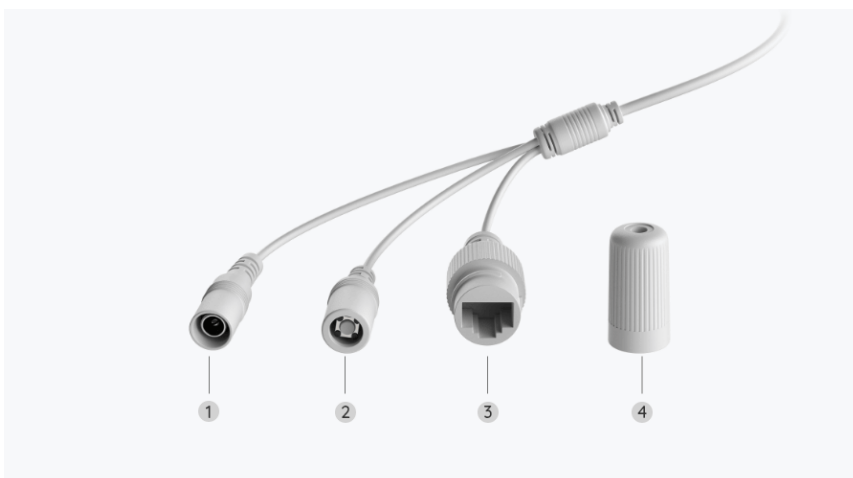
Gallery & Specs



1. Mount
2. Aluminum Metal Case
3. 4 IR LEDs
4. High Definition Lens (f=2.7-13.5mm)
5. 5 Spotlights



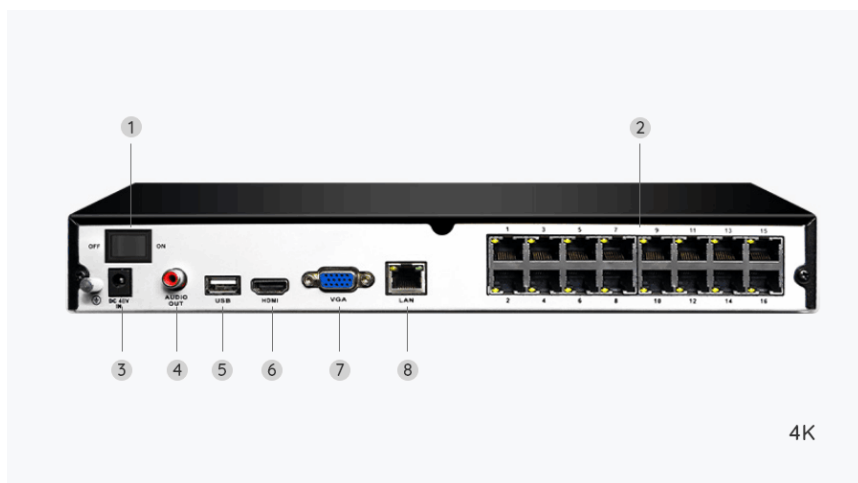
1. Loosen the screw (counterclockwise) with the wrench and adjust the camera in any direction.
2. After adjustment, tighten the screw to fix the camera.



1. Power
2. Reset Button
3. Network
4. Waterproof Lid



1. USB Port
2. Power LED / HDD LED
3. Control Panel



1. On/Off Switch
2. RJ45
3. Power Input
4. Audio Out
5. USB Port
6. HDMI Port
7. VGA Port
8. Network