

Drill Press Vise Mount | P/N: 81001385

Summary

The Magswitch Drill Press Vise mount makes it fast and easy to position and lock a drill press vise in place on a drill press table. The mount has three T-slots positioned to accommodate a wide range of drill press vise mounting hole patterns. The drill press vise and mount can then be placed anywhere on a cast iron drill press table, and finely positioned until it is in place. Then 4 powerful switchable magnet turn on with the flip of a switch to lock the vise in place for the drilling operation.

WARNING!
Do Not Operate Unless In Contact With Ferrous Target

Specifications

Maximum Breakaway Force ^{1,2}	716.39 lbs	325.63 kg
Nominal Maximum Shear ^{1,2}	187.00 lbs	85 kg
Full Saturation Thickness	0.50 in	12.7 mm
Overall Height (Max)	3.31 in	84 mm
Overall Length	7.91 in	201 mm
Overall Width	7.68 in	195 mm
Net Weight	9.35 lbs	4.25 kg
Magnetic Pole Footprint	2.64x1.02 in (4x)	67x26 mm (4x)



Material Thickness - mm (in)	1.0 (0.04)	1.9 (0.07)	2.70 (0.11)	3.5 (0.14)	4.76 (0.19)	6.35 (0.25)	9.53 (0.38)	12.70 (0.50)
Maximum Force ⁴ - kg (lbs)	36.80 (81.13)	94.90 (209.22)	160.97 (354.88)	174.50 (384.71)	217.00 (478.40)	262.13 (577.90)	308.97 (681.16)	325.63 (717.89)

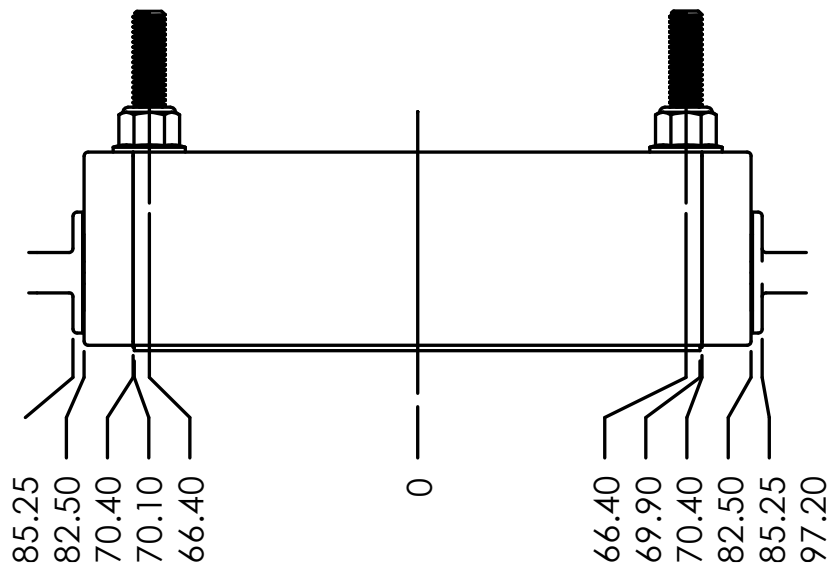
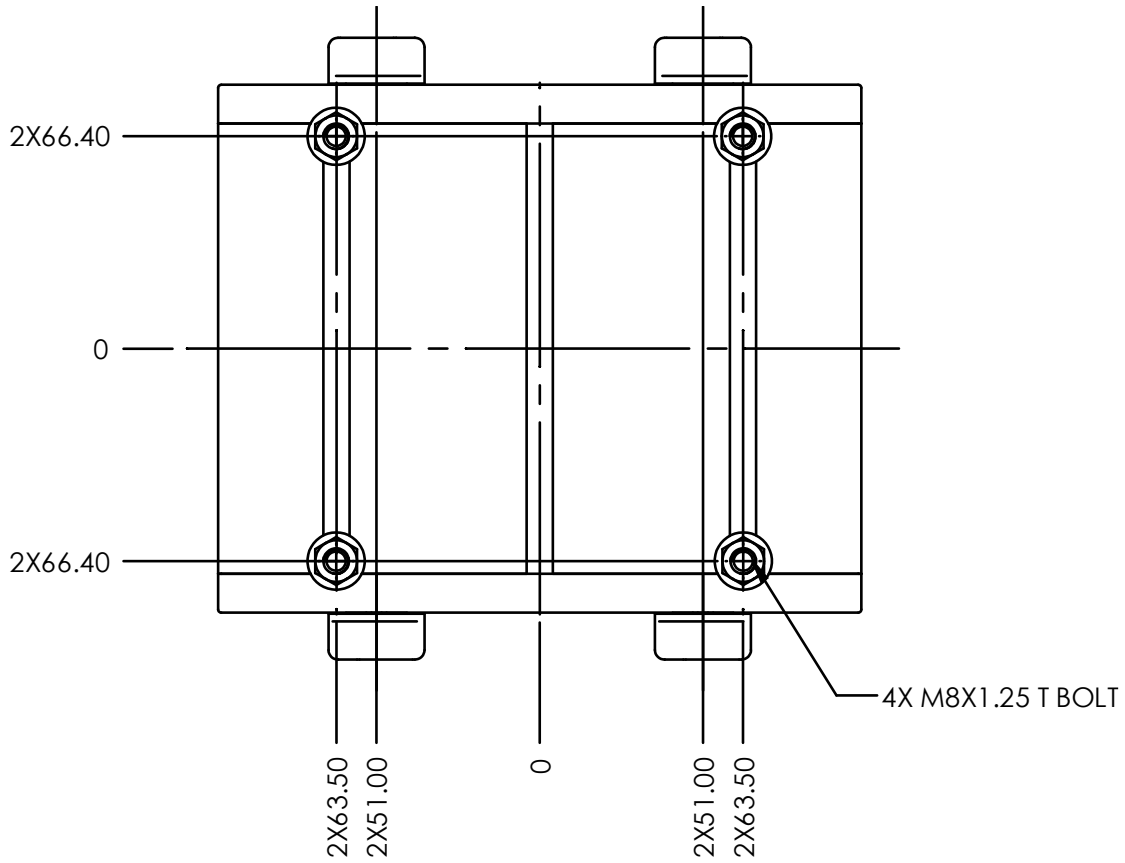
¹ Determined in laboratory environment on 2" thick SAE1018 Steel with surface roughness 63 micro inches. Many factors contribute to the actual breakaway force and safe working load in each application. Consult a Magswitch Applications Engineer and test the Magswitch in each application before deployment.

² All data applies to standard tool.

³ Determined with SAE1018 Steel L=200mm W=200mm.

⁴ Values may vary by +/- 5%.

⁵ Maximum forces listed above are not safe lifting forces. Designer must take into account safety factor when specifying tool. Magswitch recommends SWL = 5:1 for most applications.

Product Dimensions


Product Dimensions
