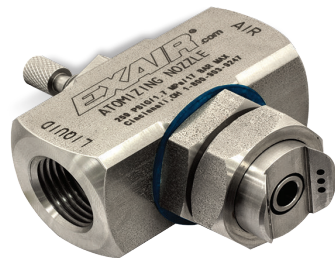




Air Atomizing Spray Nozzles

External Mix Narrow Angle Flat Fan Pattern - 1/2 NPT



Model: EF5010SS
Material: Type 303 Stainless Steel

Model EF5010SS
1/2 NPT external mix narrow angle flat fan pattern nozzles are great where a high volume of liquid is needed over a concentrated area. Since they are external mix, airflow and liquid flow can be controlled independently. External mix narrow angle flat fan pattern nozzles are the best choice where thicker liquids for a heavy coating are needed over a narrow band, such as a paint line.

For pressure fed applications with independent air and liquid control.

Spray
Nozzles

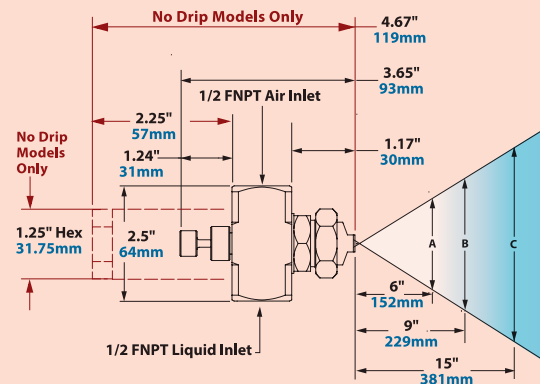


See our Terms & Conditions



Dimensions and Airflow Pattern

DOWNLOAD drawings at EXAIR.com



No Drip Only Dimensions in Red
See page 93 for No Drip Atomizing Nozzles



External mix narrow angle flat fan nozzles provide a high volume of liquid in a concentrated area.

Model	3 PSI/0.2 BAR Liquid				5 PSI/0.3 BAR Liquid				7 PSI/0.5 BAR Liquid				10 PSI/0.7 BAR Liquid				15 PSI/1.0 BAR Liquid				Spray Dimensions									
	Air Pressure PSI/ BAR	GPH/ LPH	SCFM/ SLPM	Air Pressure PSI/ BAR	GPH/ LPH	SCFM/ SLPM	Air Pressure PSI/ BAR	GPH/ LPH	SCFM/ SLPM	Air Pressure PSI/ BAR	GPH/ LPH	SCFM/ SLPM	Air Pressure PSI/ BAR	GPH/ LPH	SCFM/ SLPM	Pressure		Width			Max. Depth feet/m									
																Air PSI/ BAR	Liquid PSI/ BAR	A	B	C										
EF5010SS	30	2.1		40	2.8		45	3.1		55	3.8		60	4.1		80	5.5		35	2.4	3	0.2	15	38	18.5	47	22	56	25	7.6
	35	2.4	141	45	3.1	186	55	3.8	218	60	4.1	264	70	4.8	303	85	5.9	303	50	3.4	5	0.3	15	38	19	48	23	58	31	9.4
	40	2.8		55	3.8		60	4.1		70	4.8		80	5.5		90	6.2		70	4.8	10	0.7	15	38	20	51	25	64	33	10.1
	45	3.1		60	4.1		70	4.8		80	5.5		90	6.2		100	6.9		90	6.2	15	1.0	15	38	20	51	25	64	35	10.7