

# Air Atomizing Spray Nozzles



## Siphon Fed Round Pattern - 1/8 NPT



**Model: SR8010SS**  
**Material:** Type 303 Stainless Steel

**Model: SR8020SS**  
**Material:** Type 303 Stainless Steel

**Model: SR8030SS**  
**Material:** Type 303 Stainless Steel

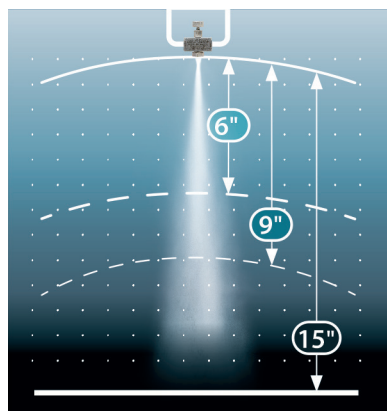
**Model: SR8040SS**  
**Material:** Type 303 Stainless Steel

**Model: SR8050SS**  
**Material:** Type 303 Stainless Steel

### Model SR8010SS, SR8020SS, SR8030SS, SR8040SS and SR8050SS

1/8 NPT siphon fed round pattern nozzles are great where no liquid pressure is available and a thin coating is needed at a specific area. Flow rate is adjustable via the adjusting valve. Siphon nozzles work best with a suction height of 36" (914mm) or less. Since these nozzles are siphon fed, the compressed airflow draws the liquid in and mixes it internally. Liquid flow is dependent both on the gravity or suction height and the airflow. Siphon fed round pattern nozzles provide the most liquid flow of any siphon fed nozzle.

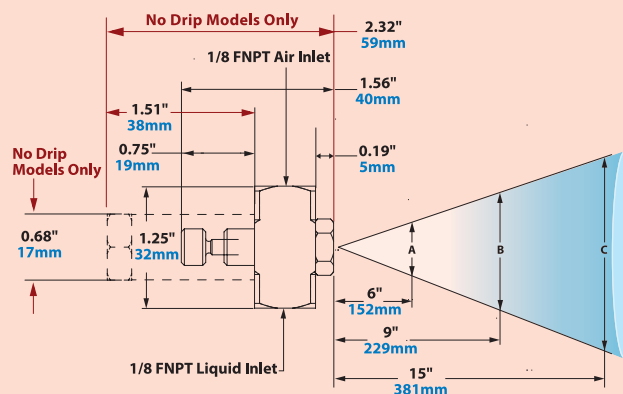
Siphon or gravity fed for non-pressurized applications.



The amount of liquid applied by the Siphon Fed atomizing nozzles varies depending on valve or inlet pressures.

### Dimensions and Airflow Pattern

DOWNLOAD drawings at EXAIR.com



No Drip Only Dimensions in Red  
 See page 93 for No Drip Atomizing Nozzles

Spray Nozzles

Model	Liquid Flow in GPH/LPH															Spray Dimensions at 8" (20cm) Siphon Height														
	Air				Gravity Head					Siphon Height						Air Pressure PSI/BAR	Width			Max. Depth feet/m										
	Pressure PSI/BAR	SCFM/SLPM	18"	46cm	12"	30cm	6"	15cm	4"	10cm	8"	20cm	12"	30cm	24"		61cm	36"	91cm		A in/cm	B in/cm	C in/cm							
SR8010SS	10	0.7	0.48	13.6	0.35	1.3	0.33	1.2	0.27	1.0	0.21	0.8	0.21	0.8	0.17	0.7	—	—	—	—	10	0.7	1.5	4	2	5	3	8	1.5	0.5
	20	1.4	0.68	19.2	0.41	1.6	0.40	1.5	0.43	1.6	0.27	1.0	0.26	1.0	0.24	0.9	0.23	0.9	—	—	20	1.4	1.5	4	2	5	3	8	1.5	0.5
	40	2.8	1.35	38.3	0.49	1.9	0.48	1.8	0.46	1.7	0.35	1.3	0.32	1.2	0.30	1.1	0.26	1.0	0.23	0.9	40	2.8	1.5	4	2	5	3	8	2	0.6
	60	4.1	2.12	59.9	0.53	2.0	0.52	2.0	0.50	1.9	0.40	1.5	0.42	1.6	0.33	1.3	0.28	1.1	0.25	0.9	60	4.1	1.5	4	2	5	3	8	3	0.9
SR8020SS	10	0.7	0.59	16.7	0.61	2.3	0.53	2.0	0.48	1.8	0.35	1.3	0.33	1.2	0.24	0.9	—	—	—	—	10	0.7	1.5	4	2	5	3	8	1.5	0.5
	20	1.4	1.16	32.8	0.73	2.8	0.7	2.6	0.66	2.5	0.58	2.2	0.55	2.1	0.4	1.5	0.35	1.3	—	—	20	1.4	1.5	4	2	5	3	8	2	0.6
	40	2.8	1.9	53.8	0.88	3.3	0.8	3.0	0.76	2.9	0.66	2.5	0.58	2.2	0.53	2.0	0.45	1.7	0.38	1.4	40	2.8	1.5	4	2	5	3	8	3	0.9
	60	4.1	2.62	74.2	0.96	3.6	0.92	3.5	0.82	3.1	0.75	2.8	0.68	2.6	0.6	2.3	0.52	2.0	0.46	1.7	60	4.1	1.5	4	2	5	3	8	4	1.2
SR8030SS	10	0.7	0.55	15.6	1.31	5.0	1.22	4.6	0.96	3.6	0.76	2.9	0.61	2.3	0.53	2.0	—	—	—	—	10	0.7	1.5	4	2	5	3	8	1.5	0.5
	20	1.4	1.06	30.0	1.66	6.3	1.59	6.0	1.23	4.7	1.07	4.1	1.13	4.3	0.92	3.5	0.76	2.9	—	—	20	1.4	1.5	4	2	5	3	8	3	0.9
	40	2.8	1.86	52.7	1.89	7.2	1.8	6.8	1.53	5.8	1.34	5.1	1.49	5.6	1.19	4.5	1.05	4.0	0.82	3.1	40	2.8	1.5	4	2	5	3	8	4	1.2
	60	4.1	2.45	69.4	1.98	7.5	1.86	7.0	1.58	6.0	1.46	5.5	1.74	6.6	1.34	5.1	1.29	4.9	1.04	3.9	60	4.1	1.5	4	2	5	3	8	5	1.5
SR8040SS	10	0.7	1.40	39.5	2.65	10.0	2.43	9.2	2.12	8.0	1.22	4.6	1.00	3.8	—	—	—	—	—	—	10	0.7	1.5	4	2	5	3	8	3	0.9
	20	1.4	2.03	57.5	3.01	11.4	2.86	10.8	2.53	9.6	1.78	6.7	1.57	6.0	1.37	5.2	—	—	—	—	20	1.4	1.5	4	2	5	3	8	4	1.2
	40	2.8	3.17	89.8	3.58	13.6	3.55	13.4	3.29	12.0	2.54	9.6	2.48	9.4	2.18	8.2	1.98	7.5	1.22	4.6	40	2.8	1.5	4	2	5	3	8	4	1.2
	60	4.1	4.42	125	4.09	15.5	3.99	15.1	3.75	14.0	3.03	11.5	2.98	11.3	2.85	11.0	2.59	9.8	2.11	8.0	60	4.1	1.5	4	2	5	3	8	5	1.5
SR8050SS	10	0.7	1.84	52.1	1.84	7.0	4.16	15.7	3.83	14.0	3.28	12.4	3.1	11.7	2.45	9.3	0.74	2.8	—	—	10	0.7	1.5	4	2	5	3	8	5	1.5
	20	1.4	2.93	82.9	2.93	11.1	5.53	20.9	3.7	14.0	4.12	15.6	3.51	13.3	3.98	15.0	3.35	12.7	1.8	6.8	20	1.4	1.5	4	2	5	3	8	7	2.1
	40	2.8	4.02	114	4.02	15.2	5.83	22.1	4.39	17.0	4.6	17.4	4.31	16.3	5.08	19.0	4.16	15.7	2.93	11.1	40	2.8	1.5	4	2	5	3	8	9	2.7
	60	4.1	5.12	145	5.12	19.4	5.92	22.4	5.56	21.0	5.5	20.8	5.09	19.3	5.33	20.0	5.18	19.6	3.84	14.5	60	4.1	1.5	4	2	5	3	8	10	3.0



11510 Goldcoast Drive • Cincinnati, OH 45249-1621 • Phone (513) 671-3322  
 FAX (513) 671-3363 • E-mail: techelp@exair.com • www.exair.com

Order Direct  
 We Ship From Stock



# No Drip Air Atomizing Spray Nozzles



## No Drip Air Atomizing Spray Nozzles



## Eliminate drips to conserve valuable liquids and improve product finishes!

### What Are No Drip Atomizing Nozzles?

EXAIR's patented† no drip atomizing spray nozzles work in the same way our standard atomizing nozzles do, but have the added benefit of positively stopping liquid flow when compressed air is shut off. All models use stainless steel construction for durability and corrosion resistance.

*EXAIR's no drip atomizing nozzles are available in 3 basic families:*

#### Internal Mix:

Internal mix nozzles mix the liquid and air inside the air cap and produce the finest atomization. Internal mix nozzles can be used on liquids with a viscosity up to 300 cP. Both air and liquid sides are pressure fed. **No Drip Internal Mix Atomizing Nozzles are for pressure fed applications not requiring independent air and liquid control.**

#### External Mix:

External mix nozzles have the highest flow rates and allow the air and liquid flows to be adjusted independently. These nozzles are best where precise liquid flow is needed. External mix nozzles can be used on liquids with a viscosity above 300 cP. Both air and liquid sides are pressure fed. **No Drip External Mix Atomizing Nozzles are for pressure fed applications with independent air and liquid control.**

#### Siphon Fed:

Siphon fed nozzles require no liquid pressure and can be used with gravity fed liquids or lift liquids from a siphon height as much as 36 inches (91cm). Siphon fed nozzles can be used on liquids with a viscosity up to 200 cP. **No Drip Siphon Fed Atomizing Nozzles are siphon or gravity fed for non-pressurized applications.**

† Patent #9156045

### Why No Drip Atomizing Nozzles?

When spraying any type of liquid, post-spray liquid flow can cause big problems. Unwanted drips can ruin product finishes on painted or coated surfaces. In addition, excess liquid flow wastes precious resources such as expensive coatings, chemicals or water. EXAIR's no drip atomizing nozzles are ideal where no post-spray drip is permissible. When the compressed air supply is shut off, the no drip nozzle positively seals off the flow of liquid eliminating the possibility of drips. They can be used in any situation that our standard atomizing nozzles can be used, including Siphon Fed applications. Unlike some manufacturers, there's no need to run a separate air line to control the no drip mechanism. The same compressed air used to combine and atomize liquid in a variety of patterns is used to open a valve allowing liquid to flow. That makes these ideal for use with EXAIR's money and energy saving EFC (see page 7).

EXAIR's no drip nozzles do not change flow rates from standard atomizing nozzles. Operations that require up to 180 cycles per minute can be achieved. Minimum operating air pressure of 30 PSIG (2.1 BAR) required for 1/4 and 1/2 NPT nozzles. 20 PSIG (1.4 BAR) is required for 1/8 NPT nozzles.



Mounting Brackets are available - Model 901786 for 1/8 NPT, Model 901318 for 1/4 NPT and Model 901556 for 1/2 NPT atomizing nozzles.



### Applications

- Painting
- Coating
- Rinsing
- Cooling
- Quenching
- Wetting (moistening)
- Humidification
- Dust Control

### Advantages

- No post spray drip
- Adjustable
- Easily used with an EFC
- Minimizes air and liquid consumption
- All stainless steel construction
- Fine atomization
- Interchangeable liquid and air caps
- Compact

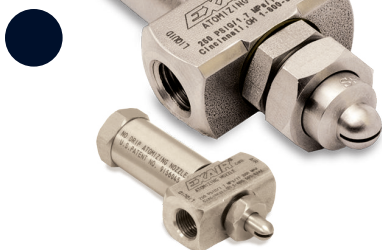
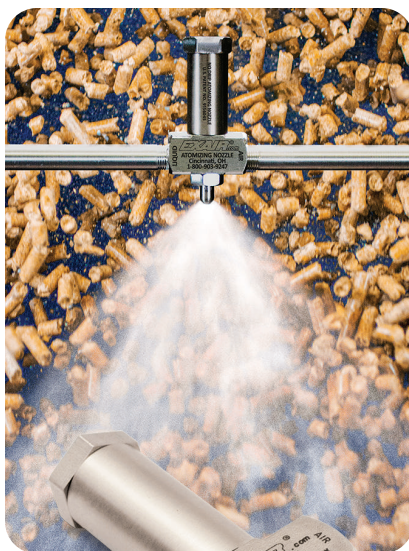


# No Drip Air Atomizing Spray Nozzles

No Drip Siphon Fed Atomizing Nozzles are siphon or gravity fed for non-pressurized applications.



Spray Nozzles



Model	Description
-------	-------------

### No Drip Siphon Fed Round Pattern Atomizing Nozzles

SR9010SS	No Drip Siphon Fed Round Pattern Atomizing Nozzles, 0.53 GPH/2.02 LPH Max, 1/8 NPT
SR9020SS	No Drip Siphon Fed Round Pattern Atomizing Nozzles, 0.96 GPH/3.63 LPH Max, 1/8 NPT
SR9030SS	No Drip Siphon Fed Round Pattern Atomizing Nozzles, 1.98 GPH/7.50 LPH Max, 1/8 NPT
SR9040SS	No Drip Siphon Fed Round Pattern Atomizing Nozzles, 4.09 GPH/15.48 LPH Max, 1/8 NPT
SR9050SS	No Drip Siphon Fed Round Pattern Atomizing Nozzles, 5.12 GPH/19.38 LPH Max, 1/8 NPT
SR2010SS	No Drip Siphon Fed Round Pattern Atomizing Nozzles, 0.8 GPH/3.0 LPH Max, 1/4 NPT
SR2020SS	No Drip Siphon Fed Round Pattern Atomizing Nozzles, 1.9 GPH/7.2 LPH Max, 1/4 NPT
SR2030SS	No Drip Siphon Fed Round Pattern Atomizing Nozzles, 5.8 GPH/22.0 LPH Max, 1/4 NPT
SR2040SS	No Drip Siphon Fed Round Pattern Atomizing Nozzles, 15.0 GPH/56.8 LPH Max, 1/4 NPT
SR6010SS	No Drip Siphon Fed Round Pattern Atomizing Nozzles, 68.3 GPH/259 LPH Max, 1/2 NPT

NO DRIP SIPHON FED ATOMIZING NOZZLES

### No Drip Siphon Fed Flat Fan Pattern Atomizing Nozzles

SF9010SS	No Drip Siphon Fed Flat Fan Pattern Atomizing Nozzles, 0.43 GPH/1.62 LPH Max, 1/8 NPT
SF9020SS	No Drip Siphon Fed Flat Fan Pattern Atomizing Nozzles, 1.52 GPH/5.75 LPH Max, 1/8 NPT
SF9030SS	No Drip Siphon Fed Flat Fan Pattern Atomizing Nozzles, 1.45 GPH/5.49 LPH Max, 1/8 NPT
SF2010SS	No Drip Siphon Fed Flat Fan Pattern Atomizing Nozzles, 0.4 GPH/1.5 LPH Max, 1/4 NPT
SF2020SS	No Drip Siphon Fed Flat Fan Pattern Atomizing Nozzles, 1.2 GPH/4.5 LPH Max, 1/4 NPT
SF2030SS	No Drip Siphon Fed Flat Fan Pattern Atomizing Nozzles, 1.9 GPH/7.2 LPH Max, 1/4 NPT