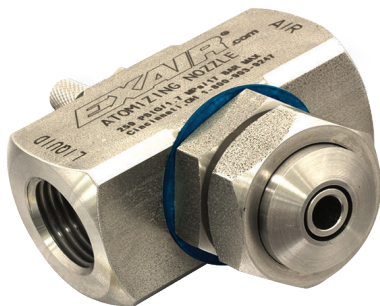


Air Atomizing Spray Nozzles



Siphon Fed Round Pattern - 1/2 NPT



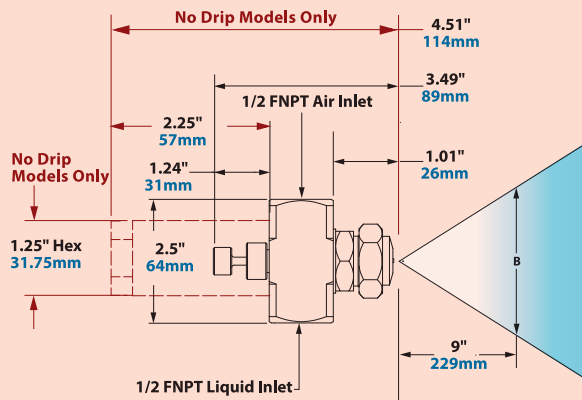
Model: SR5010SS
Material: Type 303 Stainless Steel

Model SR5010SS
1/2 NPT siphon fed round pattern nozzles are great where no liquid pressure is available and a heavy coating is needed at a specific area. Flow rate of these larger atomizing nozzles is adjustable via the adjusting valve. 1/2 NPT Siphon nozzles work best with a suction height of 24" or less. Since these nozzles are siphon fed, the compressed airflow draws the liquid in and mixes it internally. Liquid flow is dependent both on the gravity or suction height and the airflow. 1/2 NPT siphon fed round pattern nozzles provide the most liquid flow of any siphon fed nozzle.

Siphon or gravity fed for non-pressurized applications.

Dimensions and Airflow Pattern

DOWNLOAD drawings at EXAIR.com



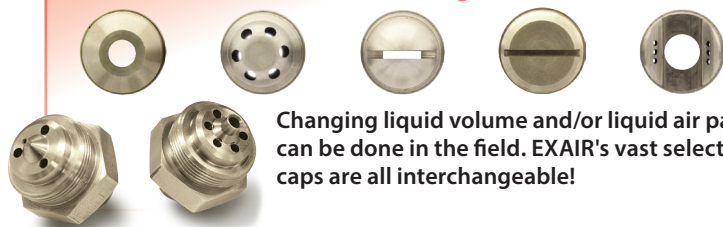
No Drip Only Dimensions in Red
See page 93 for No Drip Atomizing Nozzles

Spray Nozzles



Use a siphon fed nozzle when no liquid pressure is available.

Air and Liquid Caps are Interchangeable!



Changing liquid volume and/or liquid air pattern can be done in the field. EXAIR's vast selection of caps are all interchangeable!

Model	Liquid Flow in GPH/LPH															Spray Dimensions at 8" (20cm) Siphon Height									
	Air				Gravity Head					Siphon Height						Air		Width		Max. Depth feet/m					
	Pressure PSI/BAR	SCFM/SLPM	18"	46cm	12"	30cm	6"	15cm	4"	10cm	8"	20cm	12"	30cm	24"	61cm	Pressure PSI/BAR	B	in		cm				
SR5010SS	20	1.4	19.3	547	---	---	---	---	---	---	---	22.1	84	14.3	54	---	---	---	---	20	1.4	6	15	22	6.7
	30	2.1	25.2	714	---	---	---	---	---	---	---	28.6	108	25.7	97	12.3	47	---	---	30	2.1			25	7.6
	40	2.8	32.8	929	---	---	56.8	215	41	155	---	31.5	119	28.4	107	19.6	74	---	---	40	2.8			28	8.5
	50	3.4	36.7	1039	61	231	57.4	217	42.8	162	---	32.1	121	30.2	114	21.8	83	---	---	50	3.4			29	8.8
	60	4.1	42.2	1195	59.1	224	57.4	217	43.8	166	---	33.1	125	33	125	25.7	97	9.9	37	60	4.1			31	9.4
	70	4.8	47.7	1351	66	250	58.6	222	43.8	166	---	35.3	134	35.3	134	29.7	112	12.5	47	70	4.8			35	10.7
	80	5.5	52.9	1498	68.3	259	59.1	224	44.5	168	---	44.6	169	36.9	140	31.5	119	17.5	66	80	5.5			37	11.3



11510 Goldcoast Drive • Cincinnati, OH 45249-1621 • Phone (513) 671-3322
FAX (513) 671-3363 • E-mail: techelp@exair.com • www.exair.com

Order Direct
We Ship From Stock