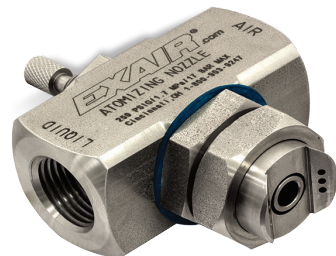




# Air Atomizing Spray Nozzles

External Mix Narrow Angle Flat Fan Pattern - 1/2 NPT



**Model: EF5010SS**  
**Material: Type 303 Stainless Steel**

**Model EF5010SS**  
 1/2 NPT external mix narrow angle flat fan pattern nozzles are great where a high volume of liquid is needed over a concentrated area. Since they are external mix, airflow and liquid flow can be controlled independently. External mix narrow angle flat fan pattern nozzles are the best choice where thicker liquids for a heavy coating are needed over a narrow band, such as a paint line.

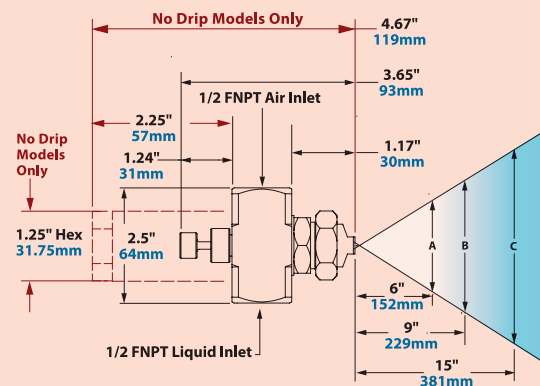
**For pressure fed applications with independent air and liquid control.**

Spray Nozzles



## Dimensions and Airflow Pattern

DOWNLOAD drawings at EXAIR.com



No Drip Only Dimensions in Red  
 See page 93 for No Drip Atomizing Nozzles



See our Terms & Conditions



External mix narrow angle flat fan nozzles provide a high volume of liquid in a concentrated area.

Model	3 PSI/0.2 BAR Liquid				5 PSI/0.3 BAR Liquid				7 PSI/0.5 BAR Liquid				10 PSI/0.7 BAR Liquid				15 PSI/1.0 BAR Liquid				Spray Dimensions																
	Air Pressure PSI/ BAR	GPH/ LPH	SCFM/ SLPM	Air Pressure PSI/ BAR	GPH/ LPH	SCFM/ SLPM	Air Pressure PSI/ BAR	GPH/ LPH	SCFM/ SLPM	Air Pressure PSI/ BAR	GPH/ LPH	SCFM/ SLPM	Air Pressure PSI/ BAR	GPH/ LPH	SCFM/ SLPM	Pressure		Width			Max. Depth feet/m																
																Air PSI/ BAR	Liquid PSI/ BAR	A	B	C																	
EF5010SS	30	2.1		30.2	854	40	2.8		36.6	1037	45	3.1		39.9	1130	55	3.8		46.4	1314	80	5.5		56.0	1586	35	2.4	3	0.2	15	38	18.5	47	22	56	25	7.6
	35	2.4	141	34.0	961	45	3.1	186	40.4	1144	55	3.8	218	47.0	1331	60	4.1	264	49.75	1409	85	5.9	303	60.0	1699	50	3.4	5	0.3	15	38	19	48	23	58	31	9.4
	40	2.8		37.3	1055	55	3.8		47.4	1342	60	4.1		49.5	1402	70	4.8		52.84	1496	90	6.2		61.4	1739	70	4.8	10	0.7	15	38	20	51	25	64	33	10.1
	45	3.1		40.8	1155	60	4.1		50.0	1416	70	4.8		56.8	1609	80	5.5		59.7	1691	100	6.9		67.6	1914	90	6.2	15	1.0	15	38	20	51	25	64	35	10.7





# No Drip Air Atomizing Spray Nozzles



## No Drip Air Atomizing Spray Nozzles



## Eliminate drips to conserve valuable liquids and improve product finishes!

### What Are No Drip Atomizing Nozzles?

EXAIR's patented† no drip atomizing spray nozzles work in the same way our standard atomizing nozzles do, but have the added benefit of positively stopping liquid flow when compressed air is shut off. All models use stainless steel construction for durability and corrosion resistance.

*EXAIR's no drip atomizing nozzles are available in 3 basic families:*

#### Internal Mix:

Internal mix nozzles mix the liquid and air inside the air cap and produce the finest atomization. Internal mix nozzles can be used on liquids with a viscosity up to 300 cP. Both air and liquid sides are pressure fed. **No Drip Internal Mix Atomizing Nozzles are for pressure fed applications not requiring independent air and liquid control.**

#### External Mix:

External mix nozzles have the highest flow rates and allow the air and liquid flows to be adjusted independently. These nozzles are best where precise liquid flow is needed. External mix nozzles can be used on liquids with a viscosity above 300 cP. Both air and liquid sides are pressure fed. **No Drip External Mix Atomizing Nozzles are for pressure fed applications with independent air and liquid control.**

#### Siphon Fed:

Siphon fed nozzles require no liquid pressure and can be used with gravity fed liquids or lift liquids from a siphon height as much as 36 inches (91cm). Siphon fed nozzles can be used on liquids with a viscosity up to 200 cP. **No Drip Siphon Fed Atomizing Nozzles are siphon or gravity fed for non-pressurized applications.**

† Patent #9156045

### Why No Drip Atomizing Nozzles?

When spraying any type of liquid, post-spray liquid flow can cause big problems. Unwanted drips can ruin product finishes on painted or coated surfaces. In addition, excess liquid flow wastes precious resources such as expensive coatings, chemicals or water. EXAIR's no drip atomizing nozzles are ideal where no post-spray drip is permissible. When the compressed air supply is shut off, the no drip nozzle positively seals off the flow of liquid eliminating the possibility of drips. They can be used in any situation that our standard atomizing nozzles can be used, including Siphon Fed applications. Unlike some manufacturers, there's no need to run a separate air line to control the no drip mechanism. The same compressed air used to combine and atomize liquid in a variety of patterns is used to open a valve allowing liquid to flow. That makes these ideal for use with EXAIR's money and energy saving EFC (see page 7).

EXAIR's no drip nozzles do not change flow rates from standard atomizing nozzles. Operations that require up to 180 cycles per minute can be achieved. Minimum operating air pressure of 30 PSIG (2.1 BAR) required for 1/4 and 1/2 NPT nozzles. 20 PSIG (1.4 BAR) is required for 1/8 NPT nozzles.



Mounting Brackets are available - Model 901786 for 1/8 NPT, Model 901318 for 1/4 NPT and Model 901556 for 1/2 NPT atomizing nozzles.

### Applications

- Painting
- Coating
- Rinsing
- Cooling
- Quenching
- Wetting (moistening)
- Humidification
- Dust Control

### Advantages

- No post spray drip
- Adjustable
- Easily used with an EFC
- Minimizes air and liquid consumption
- All stainless steel construction
- Fine atomization
- Interchangeable liquid and air caps
- Compact

# No Drip Air Atomizing Spray Nozzles



No Drip External Mix Atomizing Nozzles are for pressure fed applications with independent air and liquid control.



## Model Description

### No Drip External Mix Round Pattern Atomizing Nozzles

<b>ER2010SS</b>	No Drip External Mix Round Pattern Atomizing Nozzles, 3.8 GPH/14.4 LPH Max, 1/4 NPT
<b>ER2020SS</b>	No Drip External Mix Round Pattern Atomizing Nozzles, 7.5 GPH/28.4 LPH Max, 1/4 NPT
<b>ER2030SS</b>	No Drip External Mix Round Pattern Atomizing Nozzles, 14.0 GPH/53.0 LPH Max, 1/4 NPT
<b>ER2040SS</b>	No Drip External Mix Round Pattern Atomizing Nozzles, 31.0 GPH/117 LPH Max, 1/4 NPT
<b>ER2050SS</b>	No Drip External Mix Round Pattern Atomizing Nozzles, 60.0 GPH/227 LPH Max, 1/4 NPT

### No Drip External Mix Narrow Angle Flat Fan Pattern Atomizing Nozzles

<b>EF9010SS</b>	No Drip External Mix Narrow Angle Flat Fan Pattern Atomizing Nozzles, 2.00 GPH/7.57 LPH Max, 1/8 NPT
<b>EF9020SS</b>	No Drip External Mix Narrow Angle Flat Fan Pattern Atomizing Nozzles, 2.93 GPH/11.09 LPH Max, 1/8 NPT
<b>EF9030SS</b>	No Drip External Mix Narrow Angle Flat Fan Pattern Atomizing Nozzles, 7.67 GPH/29.03 LPH Max, 1/8 NPT
<b>EF9040SS</b>	No Drip External Mix Narrow Angle Flat Fan Pattern Atomizing Nozzles, 14.42 GPH/54.59 LPH Max, 1/8 NPT
<b>EF9050SS</b>	No Drip External Mix Narrow Angle Flat Fan Pattern Atomizing Nozzles, 25.00 GPH/94.64 LPH Max, 1/8 NPT
<b>EF2010SS</b>	No Drip External Mix Narrow Angle Flat Fan Pattern Atomizing Nozzles, 3.8 GPH/14.4 LPH Max, 1/4 NPT
<b>EF2020SS</b>	No Drip External Mix Narrow Angle Flat Fan Pattern Atomizing Nozzles, 7.5 GPH/28.4 LPH Max, 1/4 NPT
<b>EF2030SS</b>	No Drip External Mix Narrow Angle Flat Fan Pattern Atomizing Nozzles, 14.0 GPH/53.0 LPH Max, 1/4 NPT
<b>EF2040SS</b>	No Drip External Mix Narrow Angle Flat Fan Pattern Atomizing Nozzles, 31.0 GPH/117 LPH Max, 1/4 NPT
<b>EF6010SS</b>	No Drip External Mix Narrow Angle Flat Fan Pattern Atomizing Nozzles, 303.0 GPH/1,147 LPH Max, 1/2 NPT

NO DRIP EXTERNAL MIX ATOMIZING NOZZLES

### No Drip External Mix Wide Angle Flat Fan Pattern Atomizing Nozzles

<b>EB2010SS</b>	No Drip External Mix Wide Angle Flat Fan Pattern Atomizing Nozzles, 3.8 GPH/14.4 LPH Max, 1/4 NPT
<b>EB2020SS</b>	No Drip External Mix Wide Angle Flat Fan Pattern Atomizing Nozzles, 7.5 GPH/28.4 LPH Max, 1/4 NPT
<b>EB2030SS</b>	No Drip External Mix Wide Angle Flat Fan Pattern Atomizing Nozzles, 14.0 GPH/53.0 LPH Max, 1/4 NPT
<b>EB2040SS</b>	No Drip External Mix Wide Angle Flat Fan Pattern Atomizing Nozzles, 31.0 GPH/117 LPH Max, 1/4 NPT

Spray Nozzles



11510 Goldcoast Drive • Cincinnati, OH 45249-1621 • Phone (513) 671-3322  
 FAX (513) 671-3363 • E-mail: techelp@exair.com • www.exair.com

**Order Direct**  
 We Ship From Stock