

Air Atomizing Spray Nozzles



External Mix Wide Angle Flat Fan Pattern - 1/4 NPT



Model: EB1010SS
Material: Type 303 Stainless Steel

Model: EB1020SS
Material: Type 303 Stainless Steel

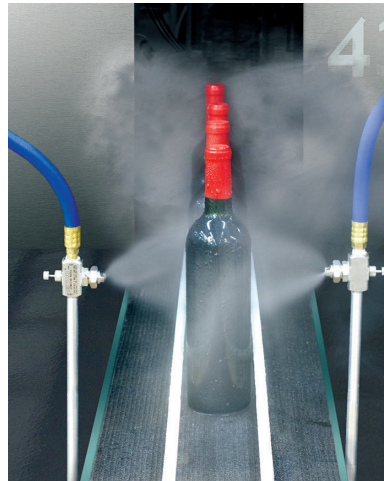
Model: EB1030SS
Material: Type 303 Stainless Steel

Model: EB1040SS
Material: Type 303 Stainless Steel

Model EB1010SS, EB1020SS, EB1030SS and EB1040SS

1/4 NPT external mix wide angle flat fan pattern nozzles are great where a high volume of liquid is needed over a wide area such as a conveyor line. Because they are external mix, airflow and liquid flow can be controlled independently. Common applications are those which require a moderate application of liquid over a broad area, such as cooling or coating wide webs.

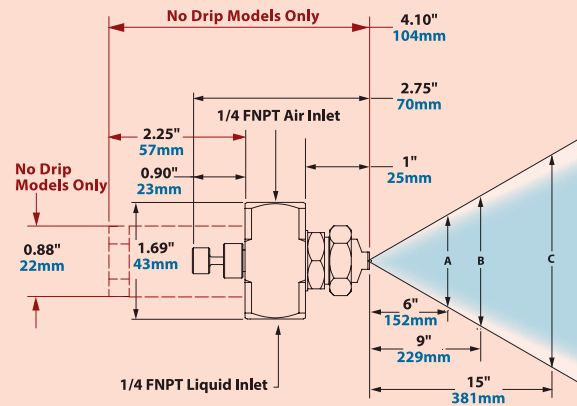
For pressure fed applications with independent air and liquid control.



(2) Model EB1040SS nozzles are used to rinse wine bottles after capping.

Dimensions and Airflow Pattern

DOWNLOAD drawings at EXAIR.com



No Drip Only Dimensions in Red
 See page 93 for No Drip Atomizing Nozzles

Spray Nozzles

Model	3 PSI/0.2 BAR Liquid			5 PSI/0.3 BAR Liquid			10 PSI/0.7 BAR Liquid			20 PSI/1.4 BAR Liquid			40 PSI/2.8 BAR Liquid			Spray Dimensions													
	Air Pressure PSI/ BAR	GPH/ LPH	SCFM/ SLPM	Air Pressure PSI/ BAR	GPH/ LPH	SCFM/ SLPM	Air Pressure PSI/ BAR	GPH/ LPH	SCFM/ SLPM	Air Pressure PSI/ BAR	GPH/ LPH	SCFM/ SLPM	Air Pressure PSI/ BAR	GPH/ LPH	SCFM/ SLPM	Pressure		Width			Max. Depth feet/m								
																Air PSI/ BAR	Liquid PSI/ BAR	A	B	C									
EB1010SS	5	0.3		0.9	25.5		0.9	25.5	8	0.6		1.1	31.1	10	0.7		10	0.7	5	0.3	8.0	20.3	11.0	27.9	14.0	35.6	9	2.7	
	8	0.6	1.0	1.1	31.1	10	0.7	1.3	36.8	10	0.7	1.3	36.8	20	1.4	2.7	15	1.0	10	0.7	9.0	22.9	12.0	30.5	17.0	43.2	11	3.4	
	10	0.7		1.3	36.8	15	1.0	1.7	48.1	20	1.4	2.0	56.6	30	2.1	10.2	20	1.4	20	1.4	9.3	23.6	14.0	35.6	19.0	48.3	11	3.4	
	15	1.0		1.7	48.1	20	1.4	2.0	56.6	30	2.1	2.6	73.6	35	2.4		25	1.7	30	2.1	11.0	27.9	15.0	38.1	20.0	50.8	13	4.0	
EB1020SS	6	0.4		1.0	28.3		1.0	28.3	6	0.4		1.0	28.3	10	0.7		8	0.6	5	0.3	11.0	27.9	16.0	40.6	19.0	48.3	8	2.4	
	7	0.5	2.5	1.1	31.1	8	0.6	1.1	31.1	8	0.6	1.1	31.1	12	0.8	5.9	15	1.0	20	1.4	11.0	27.9	16.0	40.6	21.0	53.3	11	3.4	
	8	0.6		1.1	31.1	9	0.6	1.2	34.0	10	0.7	1.3	36.8	15	1.0	22.3	20	1.4	20	1.4	12.0	30.5	17.0	43.2	22.0	55.9	12	3.7	
	10	0.7		1.3	36.8	10	0.7	1.3	36.8	12	0.8	1.5	42.5	20	1.4		25	1.7	30	2.1	13.0	33.0	18.0	45.7	24.0	61.0	12	3.7	
EB1030SS	8	0.6		3.4	96.3		3.8	108	15	1.0		4.8	136	35	2.4		15	1.0	3	0.2	11.0	27.9	17.0	43.2	21.0	53.3	13	4.0	
	15	1.0		4.8	136	20	1.4	5.9	167	25	1.7	6.7	190	45	3.1	11.0	25	1.7	10	0.7	12.0	30.5	18.0	45.7	23.0	58.4	16	4.9	
	20	1.4	4.4	5.9	167	25	1.7	6.7	190	35	2.4	8.4	238	55	3.8	41.6	30	2.1	40	2.8	13.0	33.0	19.0	48.3	24.0	61.0	21	6.4	
	25	1.7		6.7	190	30	2.1	7.6	215	40	2.8	9.3	263	60	4.1		45	3.1	20	1.4	14.0	35.6	18.0	45.7	24.0	61.0	26	7.9	
EB1040SS	10	0.7		3.8	108	15	1.0	4.8	136	25	1.7	6.7	190	45	3.1		15	1.0	3	0.2	13.0	33.0	19.0	48.3	24.0	61.0	17	5.2	
	15	1.0		4.8	136	20	1.4	5.9	167	30	2.1	7.6	215	50	3.4	104	25	1.7	10	0.7	14.0	35.6	20.0	50.8	26.0	66.0	19	5.8	
	20	1.4	10.0	5.9	167	30	2.1	7.6	215	40	2.8	9.3	263	70	4.8		30	2.1	40	2.8	15.0	38.1	21.0	53.3	27.0	68.6	23	7.0	
	25	1.7		6.7	190	35	2.4	8.4	238	45	3.1	9.3	263	80	5.5		45	3.1	20	1.4	16.0	40.6	22.0	55.9	28.0	71.1	26	7.9	
																		60	4.1	30	2.1	14.0	35.6	18.0	45.7	24.0	61.0	30	9.1
																		70	4.8	40	2.8	14.0	35.6	18.0	45.7	24.0	61.0	30	9.1



11510 Goldcoast Drive • Cincinnati, OH 45249-1621 • Phone (513) 671-3322
 FAX (513) 671-3363 • E-mail: techelp@exair.com • www.exair.com

