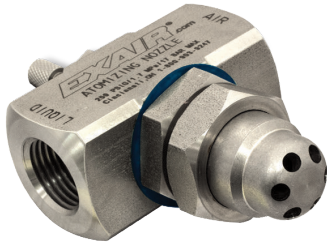


# Air Atomizing Spray Nozzles



## Internal Mix Wide Angle Round Pattern - 1/2 NPT



### Model AW5010SS, AW5020SS and AW5030SS

EXAIR's 1/2 NPT internal mix wide angle round pattern atomizing nozzles are great for covering a broad area. These larger atomizing nozzles can be adjusted for a light mist or a heavy soaking spray. They are popular for dust mitigation, humidification, and cooling of products, people or livestock in a broad area. These nozzles are also perfect for applying a coating to parts packed in large containers, for example, misting a container of stamped steel parts with oil to prevent oxidation during shipment.

For pressure fed applications not requiring independent air and liquid control.

**Model: AW5010SS**  
**Material:** Type 303 Stainless Steel

**Model: AW5020SS**  
**Material:** Type 303 Stainless Steel

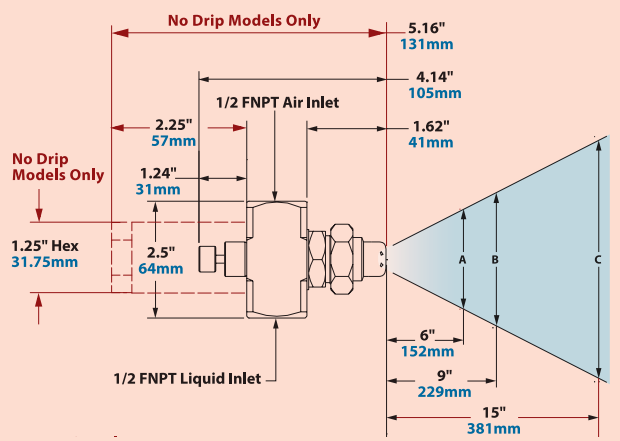
**Model: AW5030SS**  
**Material:** Type 303 Stainless Steel



Produce a large volume, fine mist or a hard hitting spray with these adjustable liquid nozzles.

### Dimensions and Airflow Pattern

DOWNLOAD drawings at EXAIR.com



No Drip Only Dimensions in Red  
See page 93 for No Drip Atomizing Nozzles

Spray Nozzles

Model	5 PSI/0.3 BAR Liquid			15 PSI/1.0 BAR Liquid			25 PSI/1.7 BAR Liquid			35 PSI/2.4 BAR Liquid			55 PSI/3.8 BAR Liquid			Spray Dimensions																										
	Air Pressure PSI/BAR	GPH/ LPH	SCFM/ SLPM	Air Pressure PSI/BAR	GPH/ LPH	SCFM/ SLPM	Air Pressure PSI/BAR	GPH/ LPH	SCFM/ SLPM	Air Pressure PSI/BAR	GPH/ LPH	SCFM/ SLPM	Air Pressure PSI/BAR	GPH/ LPH	SCFM/ SLPM	Width			Max. Depth feet/m																							
																A	B	C																								
AW5010SS	---	---	---	---	---	---	28	1.9	33	125	7.6	215	40	2.8	28.8	109	11.0	312	58	4.0	66	250	11.7	331	30	2.1	25	1.7	12.5	31.8	18	46	26	66	18	5.5						
	---	---	---	---	---	---	30	2.1	20.4	77	10.0	283	42	2.9	18	68	13.3	377	60	4.1	49	185	13.4	379	40	2.8	35	2.4	13	33.0	19	48	26	66	20	6.1						
	---	---	---	---	---	---	---	---	---	---	---	---	---	---	---	---	---	---	---	62	4.3	36	136	16.8	476	60	4.1	55	3.8	14	35.6	19	48	26.5	67	22	6.7					
AW5020SS	10	0.69	32	121	12.0	340	26	1.8	36.8	139	21.8	617	40	2.8	60.6	229	29.9	847	54	3.7	70	265	37.4	1059	75	5.2	115	4.35	15	38.1	19.5	50	25	64	22	6.7						
	12	0.83	20.4	77	14.5	411	30	2.1	28.8	109	25.6	725	44	3.0	40.8	154	33.5	949	58	4.0	49.2	186	41.2	1167	46	3.2	25	1.7	16	40.6	20	51	25	64	35	10.7						
	14	0.97	13.2	50	16.2	459	32	2.2	21	79	27.7	784	48	3.3	26.4	100	38.2	1082	62	4.3	36	136	44.7	1266	60	4.1	35	2.4	15	38.1	18	46	22	56	40	12.2						
---	---	---	---	---	---	---	34	2.3	15.6	59	29.6	838	50	3.4	20.4	77	39.1	1107	65	4.5	27	102	46.9	1328	---	---	---	---	---	---	---	---	---	---	---	---	---					
AW5030SS	10	0.69	31.2	118	12.8	362	18	1.2	112	424	14.6	413	26	1.8	180	681	17.0	481	36	2.5	210	795	21.2	600	54	3.7	264	999	28.2	799	10	0.7	5	0.3	16	40.6	21	53	31	79	20	6.1
	12	0.83	18.6	70	15.15	429	20	1.4	87	329	16.5	467	30	2.1	138	522	20.6	583	40	2.8	177	670	25.0	708	20	1.4	15	1.0	16	40.6	20.5	52	27	69	22	6.7						
	---	---	---	---	---	---	---	22	1.5	72	273	18.5	524	36	2.5	83.4	316	26.7	756	48	3.3	102	386	32.5	920	44	3.0	35	2.4	13	33.0	17	43	22	56	35	10.7					
---	---	---	---	---	---	---	24	1.7	60	227	20.4	578	40	2.8	61.2	232	31.0	878	52	3.6	82.2	311	36.7	1039	64	4.4	55	3.8	13.5	34.3	17	43	22	56	44	13.4						



11510 Goldcoast Drive • Cincinnati, OH 45249-1621 • Phone (513) 671-3322  
FAX (513) 671-3363 • E-mail: techelp@exair.com • www.exair.com

Order Direct  
We Ship From Stock



# No Drip Air Atomizing Spray Nozzles



## No Drip Air Atomizing Spray Nozzles



## Eliminate drips to conserve valuable liquids and improve product finishes!

### What Are No Drip Atomizing Nozzles?

EXAIR's patented† no drip atomizing spray nozzles work in the same way our standard atomizing nozzles do, but have the added benefit of positively stopping liquid flow when compressed air is shut off. All models use stainless steel construction for durability and corrosion resistance.

*EXAIR's no drip atomizing nozzles are available in 3 basic families:*

#### Internal Mix:

Internal mix nozzles mix the liquid and air inside the air cap and produce the finest atomization. Internal mix nozzles can be used on liquids with a viscosity up to 300 cP. Both air and liquid sides are pressure fed. **No Drip Internal Mix Atomizing Nozzles are for pressure fed applications not requiring independent air and liquid control.**

#### External Mix:

External mix nozzles have the highest flow rates and allow the air and liquid flows to be adjusted independently. These nozzles are best where precise liquid flow is needed. External mix nozzles can be used on liquids with a viscosity above 300 cP. Both air and liquid sides are pressure fed. **No Drip External Mix Atomizing Nozzles are for pressure fed applications with independent air and liquid control.**

#### Siphon Fed:

Siphon fed nozzles require no liquid pressure and can be used with gravity fed liquids or lift liquids from a siphon height as much as 36 inches (91cm). Siphon fed nozzles can be used on liquids with a viscosity up to 200 cP. **No Drip Siphon Fed Atomizing Nozzles are siphon or gravity fed for non-pressurized applications.**

† Patent #9156045

### Why No Drip Atomizing Nozzles?

When spraying any type of liquid, post-spray liquid flow can cause big problems. Unwanted drips can ruin product finishes on painted or coated surfaces. In addition, excess liquid flow wastes precious resources such as expensive coatings, chemicals or water. EXAIR's no drip atomizing nozzles are ideal where no post-spray drip is permissible. When the compressed air supply is shut off, the no drip nozzle positively seals off the flow of liquid eliminating the possibility of drips. They can be used in any situation that our standard atomizing nozzles can be used, including Siphon Fed applications. Unlike some manufacturers, there's no need to run a separate air line to control the no drip mechanism. The same compressed air used to combine and atomize liquid in a variety of patterns is used to open a valve allowing liquid to flow. That makes these ideal for use with EXAIR's money and energy saving EFC (see page 7).

EXAIR's no drip nozzles do not change flow rates from standard atomizing nozzles. Operations that require up to 180 cycles per minute can be achieved. Minimum operating air pressure of 30 PSIG (2.1 BAR) required for 1/4 and 1/2 NPT nozzles. 20 PSIG (1.4 BAR) is required for 1/8 NPT nozzles.



Mounting Brackets are available - Model 901786 for 1/8 NPT, Model 901318 for 1/4 NPT and Model 901556 for 1/2 NPT atomizing nozzles.



### Applications

- Painting
- Coating
- Rinsing
- Cooling
- Quenching
- Wetting (moistening)
- Humidification
- Dust Control

### Advantages

- No post spray drip
- Adjustable
- Easily used with an EFC
- Minimizes air and liquid consumption
- All stainless steel construction
- Fine atomization
- Interchangeable liquid and air caps
- Compact

# No Drip Air Atomizing Spray Nozzles



No Drip Internal Mix Atomizing Nozzles are for pressure fed applications not requiring independent air and liquid control.



## Model Description

### No Drip Internal Mix Narrow Angle Round Pattern Atomizing Nozzles

<b>AN9010SS</b>	No Drip Internal Mix Narrow Angle Round Pattern Atomizing Nozzles, 2.63 GPH/9.96 LPH Max, 1/8 NPT
<b>AN9020SS</b>	No Drip Internal Mix Narrow Angle Round Pattern Atomizing Nozzles, 3.33 GPH/12.61 LPH Max, 1/8 NPT
<b>AN9030SS</b>	No Drip Internal Mix Narrow Angle Round Pattern Atomizing Nozzles, 6.3 GPH/23.85 LPH Max, 1/8 NPT
<b>AN9040SS</b>	No Drip Internal Mix Narrow Angle Round Pattern Atomizing Nozzles, 12.00 GPH/45.42 LPH Max, 1/8 NPT
<b>AN9050SS</b>	No Drip Internal Mix Narrow Angle Round Pattern Atomizing Nozzles, 18.93 GPH/71.66 LPH Max, 1/8 NPT
<b>AN2010SS</b>	No Drip Internal Mix Narrow Angle Round Pattern Atomizing Nozzles, 3.3 GPH/12.5 LPH Max, 1/4 NPT
<b>AN2020SS</b>	No Drip Internal Mix Narrow Angle Round Pattern Atomizing Nozzles, 9.9 GPH/37.5 LPH Max, 1/4 NPT
<b>AN2030SS</b>	No Drip Internal Mix Narrow Angle Round Pattern Atomizing Nozzles, 23.0 GPH/87.1 LPH Max, 1/4 NPT
<b>AN2040SS</b>	No Drip Internal Mix Narrow Angle Round Pattern Atomizing Nozzles, 66.0 GPH/250 LPH Max, 1/4 NPT
<b>AN6010SS</b>	No Drip Internal Mix Narrow Angle Round Pattern Atomizing Nozzles, 75.6 GPH/286 LPH Max, 1/2 NPT
<b>AN6020SS</b>	No Drip Internal Mix Narrow Angle Round Pattern Atomizing Nozzles, 231.0 GPH/874 LPH Max, 1/2 NPT

NO DRIP INTERNAL MIX ATOMIZING NOZZLES

Spray Nozzles

### No Drip Internal Mix Wide Angle Round Pattern Atomizing Nozzles

<b>AW9010SS</b>	No Drip Internal Mix Wide Angle Round Pattern Atomizing Nozzles, 2.60 GPH/9.84 LPH Max, 1/8 NPT
<b>AW9020SS</b>	No Drip Internal Mix Wide Angle Round Pattern Atomizing Nozzles, 9.83 GPH/37.22 LPH Max, 1/8 NPT
<b>AW9030SS</b>	No Drip Internal Mix Wide Angle Round Pattern Atomizing Nozzles, 15.00 GPH/56.78 LPH Max, 1/8 NPT
<b>AW9040SS</b>	No Drip Internal Mix Wide Angle Round Pattern Atomizing Nozzles, 22.33 GPH/84.54 LPH Max, 1/8 NPT
<b>AW2010SS</b>	No Drip Internal Mix Wide Angle Round Pattern Atomizing Nozzles, 3.5 GPH/13.2 LPH Max, 1/4 NPT
<b>AW2020SS</b>	No Drip Internal Mix Wide Angle Round Pattern Atomizing Nozzles, 8.5 GPH/32.2 LPH Max, 1/4 NPT
<b>AW2030SS</b>	No Drip Internal Mix Wide Angle Round Pattern Atomizing Nozzles, 15.0 GPH/56.8 LPH Max, 1/4 NPT
<b>AW2040SS</b>	No Drip Internal Mix Wide Angle Round Pattern Atomizing Nozzles, 24.0 GPH/91 LPH Max, 1/4 NPT
<b>AW6010SS</b>	No Drip Internal Mix Wide Angle Round Pattern Atomizing Nozzles, 66.0 GPH/250 LPH Max, 1/2 NPT
<b>AW6020SS</b>	No Drip Internal Mix Wide Angle Round Pattern Atomizing Nozzles, 115.0 GPH/435 LPH Max, 1/2 NPT
<b>AW6030SS</b>	No Drip Internal Mix Wide Angle Round Pattern Atomizing Nozzles, 264.0 GPH/999 LPH Max, 1/2 NPT



11510 Goldcoast Drive • Cincinnati, OH 45249-1621 • Phone (513) 671-3322  
 FAX (513) 671-3363 • E-mail: techelp@exair.com • www.exair.com

