

Air Atomizing Spray Nozzles



Internal Mix Narrow Angle Round Pattern - 1/8 NPT



Model: AN8010SS
Material: Type 303 Stainless Steel

Model: AN8020SS
Material: Type 303 Stainless Steel

Model: AN8030SS
Material: Type 303 Stainless Steel

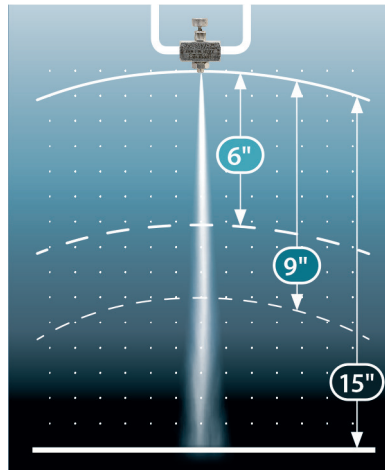
Model: AN8040SS
Material: Type 303 Stainless Steel

Model: AN8050SS
Material: Type 303 Stainless Steel

Model AN8010SS, AN8020SS, AN8030SS, AN8040SS and AN8050SS

1/8 NPT internal mix narrow angle round pattern nozzles are excellent for spraying a concentrated mist of liquid. Because of the versatility of their adjustments, they can apply a heavy coat up close or send a very fine mist over 16 feet away! They are often used for precision application of lubricants during assembly, or marking items as they move through an assembly line. Narrow angle round pattern atomizing nozzles are capable of delivering the most liquid of any of our 1/8 NPT internal mix atomizing nozzles.

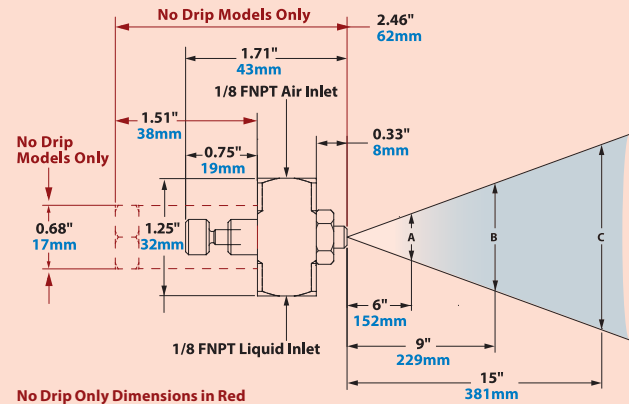
For pressure fed applications not requiring independent air and liquid control.



The modifiable spray pattern can generate a heavy or precision engineered mist for distances over 16 feet!

Dimensions and Airflow Pattern

DOWNLOAD drawings at EXAIR.com



No Drip Only Dimensions in Red
 See page 93 for No Drip Atomizing Nozzles

Spray Nozzles

Model	10 PSI/0.7 BAR Liquid					20 PSI/1.4 BAR Liquid					30 PSI/2.1 BAR Liquid					40 PSI/2.8 BAR Liquid					60 PSI/4.1 BAR Liquid					Spray Dimensions																
	Air Pressure PSI/BAR	GPH/LPH	SCFM/ SLPM		Air Pressure PSI/BAR	GPH/LPH	SCFM/ SLPM		Air Pressure PSI/BAR	GPH/LPH	SCFM/ SLPM		Air Pressure PSI/BAR	GPH/LPH	SCFM/ SLPM		Air Pressure PSI/BAR	GPH/LPH	SCFM/ SLPM		Pressure			Width			Max. Depth feet/m															
			in	cm			in	cm			in	cm			in	cm			in	cm	A	B	C																			
AN8010SS	10	0.7	0.97	3.7	0.25	7.1	14	1.0	1.83	6.9	0.32	9.1	24	1.7	1.97	7.5	0.52	14.7	32	2.2	2.23	8.4	0.67	19.0	50	3.4	2.63	10.0	0.98	27.7	10	0.7	10	0.7	3	8	3.5	9	4.5	11	3.5	1.1
	12	0.8	0.80	3.0	0.32	9.1	18	1.2	1.5	5.7	0.39	11.0	28	1.9	1.7	6.4	0.59	16.7	36	2.5	1.97	7.5	0.74	20.9	54	3.7	2.37	9.0	1.02	28.9	18	1.2	20	1.4	3	8	4	10	5	13	5	1.5
	14	1.0	0.60	2.3	0.4	11.3	22	1.5	1.27	4.8	0.52	14.7	32	2.2	1.37	5.2	0.71	20.1	40	2.8	1.67	6.3	0.84	23.8	58	4.0	2.1	7.9	1.12	31.7	32	2.2	30	2.1	3	8	4	10	5.5	14	7	2.1
	—	—	—	—	—	—	26	1.8	0.73	2.8	0.67	19.0	38	2.6	0.8	3.0	0.93	26.3	48	3.3	1.00	3.8	1.09	30.9	66	4.6	1.7	6.4	1.21	34.3	48	3.3	40	2.8	3	8	4.5	11	6	15	8	2.4
AN8020SS	10	0.7	1.33	5.0	0.43	12.2	18	1.2	1.83	6.9	0.71	20.1	24	1.7	2.27	8.6	0.91	25.8	30	2.1	2.63	10.0	1.05	29.7	40	2.8	3.33	12.6	1.31	37.1	10	0.7	10	0.7	2	5	3	8	4	10	5	1.5
	12	0.8	1.17	4.4	0.5	14.2	20	1.4	1.73	6.5	0.75	21.2	28	1.9	2.07	7.8	0.99	28.0	34	2.3	2.47	9.3	1.12	31.7	46	3.2	3.13	11.8	1.4	39.6	20	1.4	20	1.4	2.5	6	3.5	9	4.5	11	7	2.1
	14	1.0	1.03	3.9	0.6	17.0	22	1.5	1.63	6.2	0.84	23.8	32	2.2	1.9	7.2	1.09	30.9	38	2.6	2.33	8.8	1.20	34.0	52	3.6	2.87	10.9	1.6	45.3	32	2.2	30	2.1	2.5	6	3.5	9	4.5	11	7	2.1
	—	—	—	—	—	—	—	—	—	—	—	—	40	2.8	1.57	5.9	1.45	41.0	48	3.3	1.87	7.1	1.53	43.3	70	4.8	2.2	8.3	2.2	62.3	70	4.8	60	4.1	3.5	9	4.5	11	6.5	17	10	3.0
AN8030SS	12	0.8	2.20	8.3	0.47	13.3	22	1.5	2.9	11.0	0.75	21.2	30	2.1	3.7	14.0	0.96	27.2	36	2.5	4.47	16.9	1.09	30.9	48	3.3	6.3	23.8	1.28	36.2	12	0.8	10	0.7	2	5	3	8	4.5	11	6	1.8
	16	1.1	1.60	6.1	0.56	15.9	26	1.8	2.43	9.2	0.82	23.2	34	2.3	3.2	12.1	1.00	28.3	40	2.8	4.17	15.8	1.12	31.7	52	3.6	5.87	22.2	1.3	36.8	26	1.8	20	1.4	2.5	6	3.5	9	5	13	6	1.8
	24	1.7	0.67	2.5	0.95	26.9	38	2.6	1.13	4.3	1.35	38.2	46	3.2	1.8	6.8	1.45	41.0	52	3.6	2.67	10.1	1.49	42.2	64	4.4	4.56	17.3	1.59	45.0	52	3.6	40	2.8	3	8	4	10	6	15	11	3.4
	28	1.9	0.47	1.8	1.07	30.3	42	2.9	0.77	2.9	1.53	43.3	52	3.6	1.4	5.3	1.76	49.8	60	4.1	2.00	7.6	1.87	52.9	70	4.8	3.8	14.4	1.84	52.1	70	4.8	60	4.1	4	10	5	13	6.5	17	11	3.4
AN8040SS	16	1.1	4.87	9.6	2.54	71.9	28	1.9	6.60	25.0	3.64	103.0	40	2.8	7.83	29.7	4.70	132.9	48	3.3	9.33	35.3	5.40	153	65	4.5	12.0	45.4	6.70	190	16	1.1	10	0.7	2.5	6	3	8	4	10	10	3.0
	20	1.4	3.57	11.0	2.92	82.6	32	2.2	5.60	21.2	3.98	112.6	44	3.0	6.87	26.0	4.99	141.3	55	3.8	8.17	30.9	5.98	169	75	5.2	10.8	41.0	7.57	214	32	2.2	20	1.4	3	8	4	10	5.5	14	11	3.4
	26	1.8	1.87	13.6	3.60	101.8	44	3.0	2.43	9.2	5.16	146.1	60	4.1	2.80	10.6	6.43	182.0	80	5.5	2.53	9.6	8.58	243	90	6.2	8.17	30.9	9.03	256	80	5.5	40	2.8	3	8	4	10	5.5	14	13	4.0
	30	2.1	1.03	15.4	4.06	115.0	50	3.4	1.33	5.0	5.92	167.7	70	4.8	1.23	4.7	7.78	220.4	90	6.2	1.27	4.8	9.61	272	100	6.9	6.13	23.2	9.90	280	100	6.9	60	4.1	3.5	9	4.5	11	6	15	15	4.6
AN8050SS	12	0.8	7.60	28.8	1.76	49.8	20	1.4	11.63	44.0	2.37	67.1	30	2.1	13.5	51.1	3.42	96.8	38	2.6	15.4	58.2	3.99	113	54	3.7	18.9	71.7	5.17	146	12	0.8	10	0.7	3	8	4	10	6	15	9	2.7
	14	1.0	6.10	23.1	1.97	55.8	22	1.5	10.53	39.9	2.85	80.7	34	2.3	11.37	43.0	3.92	111.0	42	2.9	14.1	53.3	4.50	127	60	4.1	17.2	65.1	5.83	165	22	1.5	20	1.4	3	8	4	10	6	15	11	3.4
	16	1.1	4.80	18.2	2.18	61.7	24	1.7	9.43	35.7	3.11	88.0	38	2.6	9.07	34.3	4.4	124.6	46	3.2	12.3	46.7	4.95	140	65	4.5	15.7	59.4	6.45	183	38	2.6	30	2.1	3	8	4.5	11	6	15	14	4.3
	—	—	—	—	—	—	32	2.2	5.07	19.2	4.19	118.6	46	3.2	5.6	21.2	5.52	156.3	56	3.9	7.7	29.0	6.24	177	85	5.9	8.13	30.8	8.58	243	85	5.9	60	4.1	4	10	5	13	6.5	17	16	4.9



11510 Goldcoast Drive • Cincinnati, OH 45249-1621 • Phone (513) 671-3322
 FAX (513) 671-3363 • E-mail: techhelp@exair.com • www.exair.com





No Drip Air Atomizing Spray Nozzles



No Drip Air Atomizing Spray Nozzles



Eliminate drips to conserve valuable liquids and improve product finishes!

What Are No Drip Atomizing Nozzles?

EXAIR's patented[†] no drip atomizing spray nozzles work in the same way our standard atomizing nozzles do, but have the added benefit of positively stopping liquid flow when compressed air is shut off. All models use stainless steel construction for durability and corrosion resistance.

EXAIR's no drip atomizing nozzles are available in 3 basic families:

Internal Mix:

Internal mix nozzles mix the liquid and air inside the air cap and produce the finest atomization. Internal mix nozzles can be used on liquids with a viscosity up to 300 cP. Both air and liquid sides are pressure fed. **No Drip Internal Mix Atomizing Nozzles are for pressure fed applications not requiring independent air and liquid control.**

External Mix:

External mix nozzles have the highest flow rates and allow the air and liquid flows to be adjusted independently. These nozzles are best where precise liquid flow is needed. External mix nozzles can be used on liquids with a viscosity above 300 cP. Both air and liquid sides are pressure fed. **No Drip External Mix Atomizing Nozzles are for pressure fed applications with independent air and liquid control.**

Siphon Fed:

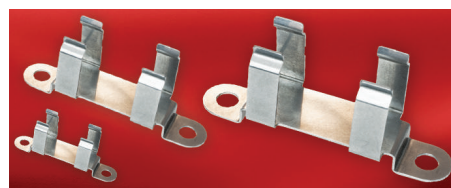
Siphon fed nozzles require no liquid pressure and can be used with gravity fed liquids or lift liquids from a siphon height as much as 36 inches (91cm). Siphon fed nozzles can be used on liquids with a viscosity up to 200 cP. **No Drip Siphon Fed Atomizing Nozzles are siphon or gravity fed for non-pressurized applications.**

[†] Patent #9156045

Why No Drip Atomizing Nozzles?

When spraying any type of liquid, post-spray liquid flow can cause big problems. Unwanted drips can ruin product finishes on painted or coated surfaces. In addition, excess liquid flow wastes precious resources such as expensive coatings, chemicals or water. EXAIR's no drip atomizing nozzles are ideal where no post-spray drip is permissible. When the compressed air supply is shut off, the no drip nozzle positively seals off the flow of liquid eliminating the possibility of drips. They can be used in any situation that our standard atomizing nozzles can be used, including Siphon Fed applications. Unlike some manufacturers, there's no need to run a separate air line to control the no drip mechanism. The same compressed air used to combine and atomize liquid in a variety of patterns is used to open a valve allowing liquid to flow. That makes these ideal for use with EXAIR's money and energy saving EFC (see page 7).

EXAIR's no drip nozzles do not change flow rates from standard atomizing nozzles. Operations that require up to 180 cycles per minute can be achieved. Minimum operating air pressure of 30 PSIG (2.1 BAR) required for 1/4 and 1/2 NPT nozzles. 20 PSIG (1.4 BAR) is required for 1/8 NPT nozzles.



Mounting Brackets are available - Model 901786 for 1/8 NPT, Model 901318 for 1/4 NPT and Model 901556 for 1/2 NPT atomizing nozzles.



Applications

- Painting
- Coating
- Rinsing
- Cooling
- Quenching
- Wetting (moistening)
- Humidification
- Dust Control

Advantages

- No post spray drip
- Adjustable
- Easily used with an EFC
- Minimizes air and liquid consumption
- All stainless steel construction
- Fine atomization
- Interchangeable liquid and air caps
- Compact

No Drip Air Atomizing Spray Nozzles



No Drip Internal Mix Atomizing Nozzles are for pressure fed applications not requiring independent air and liquid control.



Model Description

No Drip Internal Mix Narrow Angle Round Pattern Atomizing Nozzles

AN9010SS	No Drip Internal Mix Narrow Angle Round Pattern Atomizing Nozzles, 2.63 GPH/9.96 LPH Max, 1/8 NPT
AN9020SS	No Drip Internal Mix Narrow Angle Round Pattern Atomizing Nozzles, 3.33 GPH/12.61 LPH Max, 1/8 NPT
AN9030SS	No Drip Internal Mix Narrow Angle Round Pattern Atomizing Nozzles, 6.3 GPH/23.85 LPH Max, 1/8 NPT
AN9040SS	No Drip Internal Mix Narrow Angle Round Pattern Atomizing Nozzles, 12.00 GPH/45.42 LPH Max, 1/8 NPT
AN9050SS	No Drip Internal Mix Narrow Angle Round Pattern Atomizing Nozzles, 18.93 GPH/71.66 LPH Max, 1/8 NPT
AN2010SS	No Drip Internal Mix Narrow Angle Round Pattern Atomizing Nozzles, 3.3 GPH/12.5 LPH Max, 1/4 NPT
AN2020SS	No Drip Internal Mix Narrow Angle Round Pattern Atomizing Nozzles, 9.9 GPH/37.5 LPH Max, 1/4 NPT
AN2030SS	No Drip Internal Mix Narrow Angle Round Pattern Atomizing Nozzles, 23.0 GPH/87.1 LPH Max, 1/4 NPT
AN2040SS	No Drip Internal Mix Narrow Angle Round Pattern Atomizing Nozzles, 66.0 GPH/250 LPH Max, 1/4 NPT
AN6010SS	No Drip Internal Mix Narrow Angle Round Pattern Atomizing Nozzles, 75.6 GPH/286 LPH Max, 1/2 NPT
AN6020SS	No Drip Internal Mix Narrow Angle Round Pattern Atomizing Nozzles, 231.0 GPH/874 LPH Max, 1/2 NPT

NO DRIP INTERNAL MIX ATOMIZING NOZZLES

Spray Nozzles

No Drip Internal Mix Wide Angle Round Pattern Atomizing Nozzles

AW9010SS	No Drip Internal Mix Wide Angle Round Pattern Atomizing Nozzles, 2.60 GPH/9.84 LPH Max, 1/8 NPT
AW9020SS	No Drip Internal Mix Wide Angle Round Pattern Atomizing Nozzles, 9.83 GPH/37.22 LPH Max, 1/8 NPT
AW9030SS	No Drip Internal Mix Wide Angle Round Pattern Atomizing Nozzles, 15.00 GPH/56.78 LPH Max, 1/8 NPT
AW9040SS	No Drip Internal Mix Wide Angle Round Pattern Atomizing Nozzles, 22.33 GPH/84.54 LPH Max, 1/8 NPT
AW2010SS	No Drip Internal Mix Wide Angle Round Pattern Atomizing Nozzles, 3.5 GPH/13.2 LPH Max, 1/4 NPT
AW2020SS	No Drip Internal Mix Wide Angle Round Pattern Atomizing Nozzles, 8.5 GPH/32.2 LPH Max, 1/4 NPT
AW2030SS	No Drip Internal Mix Wide Angle Round Pattern Atomizing Nozzles, 15.0 GPH/56.8 LPH Max, 1/4 NPT
AW2040SS	No Drip Internal Mix Wide Angle Round Pattern Atomizing Nozzles, 24.0 GPH/91 LPH Max, 1/4 NPT
AW6010SS	No Drip Internal Mix Wide Angle Round Pattern Atomizing Nozzles, 66.0 GPH/250 LPH Max, 1/2 NPT
AW6020SS	No Drip Internal Mix Wide Angle Round Pattern Atomizing Nozzles, 115.0 GPH/435 LPH Max, 1/2 NPT
AW6030SS	No Drip Internal Mix Wide Angle Round Pattern Atomizing Nozzles, 264.0 GPH/999 LPH Max, 1/2 NPT



11510 Goldcoast Drive • Cincinnati, OH 45249-1621 • Phone (513) 671-3322
 FAX (513) 671-3363 • E-mail: techelp@exair.com • www.exair.com

