



As A Negative Air Machine

ALORAIR VERSATILE & NEGATIVE AIR SCRUBBER

CleanShield HEPA 550

PREFILTER, HEPA 550 FILTER, ACTIVATED CARBON FILTER

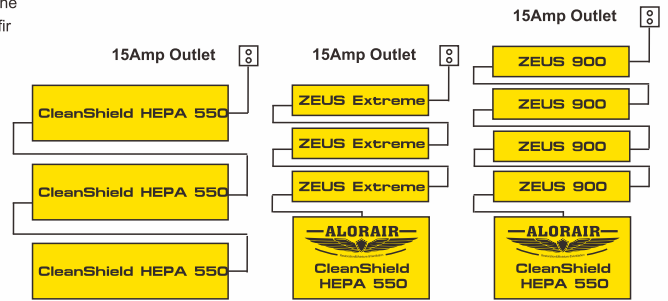


Download a CleanShield HEPA 550 copy of the Guide to Air Scrubbing. To learn more about the features and benefits of the CleanShield HEPA 550 and its filtration, scan this code.

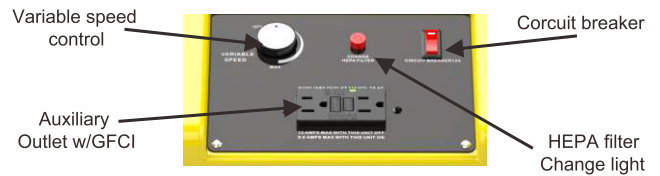
Recommended Use Recommended use(s) of on-board duplex GFCI are shown. Note: Standard 115VAC electrical outlets. (GFCI is not available for 220/240V)



Manifold Filters



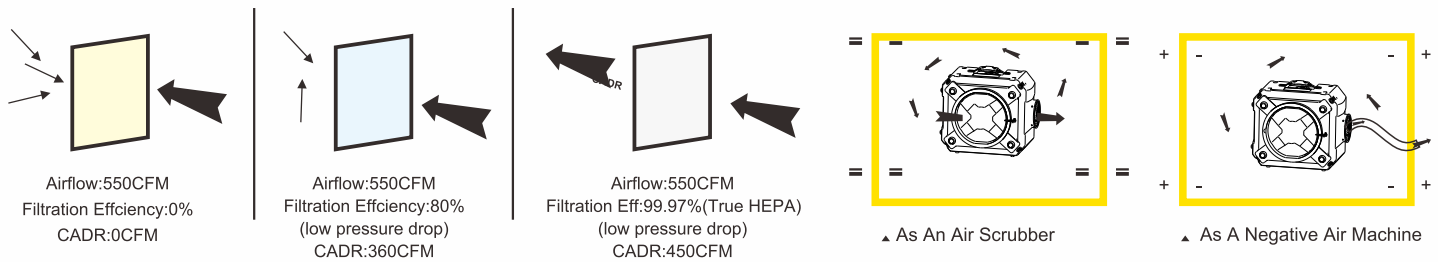
Control Panel



As A Negative Air Machine

CADR: Volume of cleaner air delivered per minute

The highest CADR numbers belong to air scrubbers that combine high filtration efficiency, high airflow, and low pressure drop.



Applications

Applications	CleanShield HEPA 550	Applications	CleanShield HEPA 550
Restoration Works	✓	5 Dust Control	✓
Confined Aears	✓	Odor Control	✓
Constrction Sites	✓	Tunnels	✓
Crawl Space&Basement	✓	Grinding Works	✓
Fire Departments	✓	Welding Booths	✓
Industrial Cleaning	✓	Sewage Remediation	✓

CleanShield HEPA 550, a versatile air scrubber and negative air machine that can effectively complete your water damage restoration tasks, mold remediation works, fire damage restoration, dust control, odor control and sewage remediation.

Water Damage In a standard Category 1 water damage situation, place the CleanShield

HEPA 550 in the middle of the affected area. Airmovers can stir up particles into the air. The HEPA 550 can reduce particle levels by filtering the air in the restoration process.

Mold Remediation In most cases, the remediation process requires affected area to be well sealed. Space sealing prevents the spread of mold spores and dust.

Professionals with specialized remediation techniques use the CleanShield HEPA 550 can bring about a striking effect of air cleaning.

Formally trained remediation professionals Run the CleanShield HEPA 550 as a negative air machine without interruption for the duration of every remediation job. The HEPA 550 can filter up to 99.96% of particles with 0.3 microns or larger size, such as mold spores and fungi.

Manifold Filters Besides the standard prefilter and HEPA filter, CleanShield HEPA 550 also equipped with activated carbon filter which is able to capture a wide variety of volatile organic compounds (VOCs), including soot and smoke, food odors, fumes from paint and paint thinners, sewer odors, and many other compounds. Individually wrapped filters with pellets ensure the maximum airflow and maximum contact while minimizing filter dust.

FIRE&FLOOD RESTORATION, CARPET DRYING, WAREHOUSES, WOOD FLOOR DRYING, CONCRETE DYRING, KITCHENS, FACTORIES



ALORAIR VERSATILE & NEGATIVE AIR SCRUBBER

CleanShield HEPA 550

PREFILTER, HEPA 550 FILTER, ACTIVATED CARBON FILTER



RESTORATION / PROFESSOR / MOLD REMEDIATION

**Variable CFM – Chain 3 Units On 1
Power Outlet, up to 1650 CFM,
Advanced 3-Stage Filtration;
Stackable, Light And Easily;
Transportable**



PROVEN PERFORMANCE

The AlorAir CleanShield HEPA 550 air scrubber, with the smallest and lightest design, is unbeatable compared with other brands in removing airborne miscellaneous debris at 0.3 microns in size including pollen, plant spores, mold spores, pet dander. Pre-filter, HEPA filter and activated carbon filter are all adopted in the CleanShield HEPA 550. The CleanShield HEPA 550 is absolutely powerful in cleaning contaminated air with pre-filter and activated carbon filter capturing larger particles and the HEPA filter drawing in smaller particles.

CleanShield HEPA 550 is capable of cleaning air horizontally and vertically with electricity consumption no more than 3 amps. CleanShield HEPA 550 can produce 550 CFM airflow volume at its peak, which virtually adsorb all hazardous particles from the air.

During restoration work and drying after water damage, the driving airflow can stir up particulates and particles adhering to the carpet or other materials. Then those dirty particles can be filtered by the device with the of clean, odor-free air.

Features	CleanShield HEPA 550
Weighs 6.0 lbs less than competitive units	✓
Size 2 in" Smaller than competitive units	✓
More Effective than competitive units	✓
Less than 2.8 amps on High Speed	✓
Power-on indicator light	✓
Filter change light	✓
GFCI protection promotes operator safety in wet applications	✓
23 ft AC cord with cord management	✓
Units interlock for ease of stacking during storage and handling	✓
Over 550 CFM on high	✓
Maintenance free Bearing Motor	✓
Rotomolded polyethylene Housing	✓
ETL	✓

Specifications	CleanShield HEPA 550
Power	2.5 amps, 115V, 60 Hz
Duct sizes Intake	Intake: 16 in.
Duct sizes Outlet	Intake: 8 in.
Cord	23 ft Power Cord
Size for	5,500 cu. ft / 800 sq. ft
Outlet	15A UL Rated GFCI Duplex Receptacle
Static pressure	2.8 in. (H ₂ O)
Air flow	270~550 CFM
Sound Pressure Level	<65DBA
Filters	HEPA Filter Pre Filter Carbon Filter
Weight	39.6 lbs
Dim(WxHxD)	20.87" × 24.8" × 14.96"
Loading quantity	20': 185 Sets/40': 320 Sets/40'HQ: 470 Sets

Key Design Features

- Indicates when primary (HEPA) filter needs to be changed
- Plug up to three units together for a total of 1650 CFM on one 15 amp circuit
- Size 2 in" Smaller than competitive units
- Weighs 6.0 lbs less than competitive units
- More Effective than competitive units
- Long-life Maintenance free Bearing Motor
- Low noise, quiet operation
- Both Inlet and outlet can be ducted

Replacement Parts

1. Switch, On-Off-On
2. Outlet, GFCI, 15A
3. Grill Exhaust
4. Blade & Motor
5. Pre-Filter
6. Activated Carbon Filter
7. HEPA 550 Filters
8. Lay Flat Ducting
9. Sto & Go Vortex Ducting

AlorAir Solutions, Inc

Add: 14752 Yorba Ct Chino CA 91710 US

Tel: 888-990-7469

E-mail: sales@alorair.com