

PureAiro HEPA Max 770

PRE FILTER, HEPA /ACTIVATED CARBON FILTER



RESTORATION / **PROFESSIONAL** / **MOLD REMEDIATION**

PROVEN PERFORMANCE

- The AlorAir **PureAiro HEPA Max770** air scrubber, It is equipped with a bigger air intake than most competitors units. It has a 14-inch air inlet for increased airflow efficiently.
- Pre-filter and HEPA/activated carbon filter are all adopted in the **PureAiro HEPA Max 770**. Our unit is unbeatable when compared with competitor brands in removing airborne miscellaneous debris at 0.3 microns in size which include pollen, plant spores, mold spores, and pet dander. The Carbon filter captures the larger particles whilst the HEPA draws in the smaller particles.
- **PureAiro HEPA Max 770** is capable of cleaning air horizontally and vertically with electricity consumption no more than 3 amps.
- During restoration work and drying after water damage, the driving airflow can stir up particulates and particles adhering to the carpet or other materials. Then those dirty particles can be filtered by the device with the clean, odor-free air.

Features

- Equipped with a larger more efficient filter than most competitors' units.
- Includes Pre-filter and HEPA /activated carbon filter.
- Filter change light indicates when HEPA /Activated carbon filter needs to be changed.
- Daisy chain capability - link up to 3 units on 1 power outlet.
- Stackable, lightweight, and easily transportable.
- Made from rotomolded plastic for maximum durability.
- Both Inlet and outlet can be ducted.
- Suitable for use in homes, light industrial settings, schools, hospitality venues, and healthcare environments-wherever portable, efficient HEPA filtration is needed.



PRE-FILTER

Effectively captures 90% of medium to large contaminants such as fur and dander.



2 IN 1 HEPA/ACTIVATED CARBON FILTRATION

Helps remove allergens & pollutants.



Specifications	PureAiro HEPA Max 770
Power	2.5 Amps, 115V, 60 Hz, Transparent Indicated Lighting Plug
Duct Sizes Intakes	14 in
Duct Sizes Outlets	8 in.
Cord	23 ft Power Cord
Outlet	15A UL Rated GFCI Duplex Receptacle
Static pressure	2.8 in. (H2O)
Sound Pressure Level	<65 dBA
Filters	Pre-filter and HEPA/activated carbon filter
Weight	37.4 lbs
Shipping Dim (LxWxH)	29.5 x 22.3 x 14.8 in
Airflow Range	270-550 CFM
Loading Quantity	20': 219 Sets; 40': 470 Sets; 40'HQ: 536 Sets

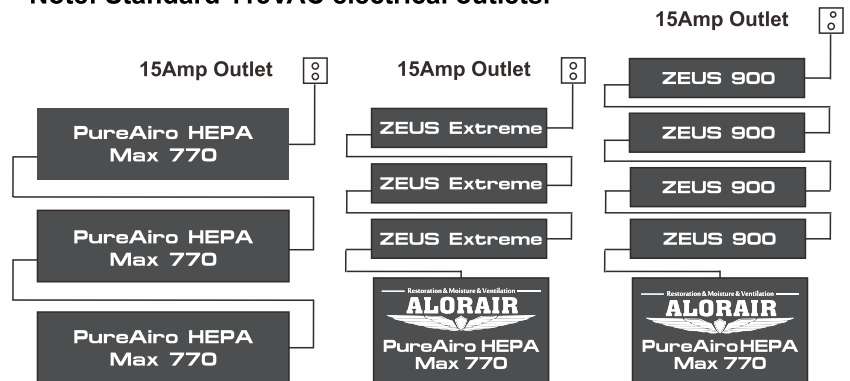
ALORAIR VERSATILE & NEGATIVE AIR SCRUBBER

PureAiro HEPA Max 770

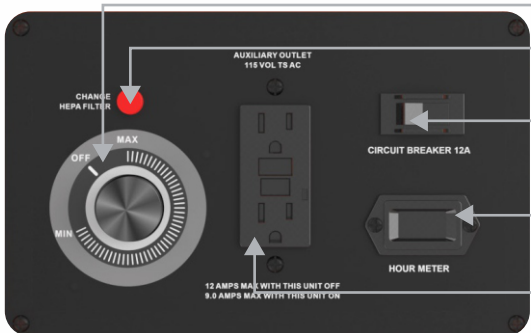
PRE FILTER, HEPA /ACTIVATED CARBON FILTER



Recommended use(s) of on-board duplex GFCI are shown.
Note: Standard 115VAC electrical outlets.



Control Panel



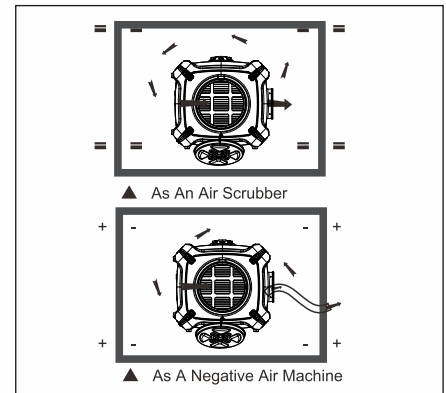
Variable speed control

Change HEPA Filter

Circuit Breaker 12A

Hour Meter

GFCI receptacles



▲ As An Air Scrubber

▲ As A Negative Air Machine

Applications

- **PureAiro HEPA Max 770** is a versatile air scrubber and negative air machine that is a portable filtration system. It is a bigger air intake than competitors' units intake. It draws in air from the surrounding environment and passes it through a series of filters. These filters efficiently remove particles from the air to help improve indoor air quality. That can effectively complete your water damage restoration tasks, mold remediation works, fire damage restoration, dust control, odor control, and sewage remediation.
- Water Damage in a standard Category 1 water damage situation, place the **PureAiro HEPA Max 770** in the middle of the affected area. Air movers can stir up particles into the air. The **PureAiro HEPA Max 770** can reduce particle levels by filtering the air in the restoration process.
- Mold Remediation in most cases required the affected area to be well sealed. Space sealing prevents the spread of mold spores and dust. Professionals with specialized remediation techniques use the **PureAiro HEPA Max 770** to bring about a striking effect of air cleaning.
- Formally trained remediation professionals use the **PureAiro HEPA Max 770** as a negative air machine without interruption for the duration of every remediation job. The **PureAiro HEPA Max 770** can filter up to 99.95% of particles with 0.3 microns or larger size, such as mold spores and fungi.
- Manifold Filters Besides the standard Pre-filter, **PureAiro HEPA Max 770** also equipped with a HEPA/activated carbon filter which can capture a wide variety of volatile organic compounds (VOCs), including soot, smoke, food odors, fumes from paint and paint thinners, sewer odors, and many other compounds. Individually wrapped filters with pellets ensure the maximum airflow and maximum contact while minimizing filter dust.

