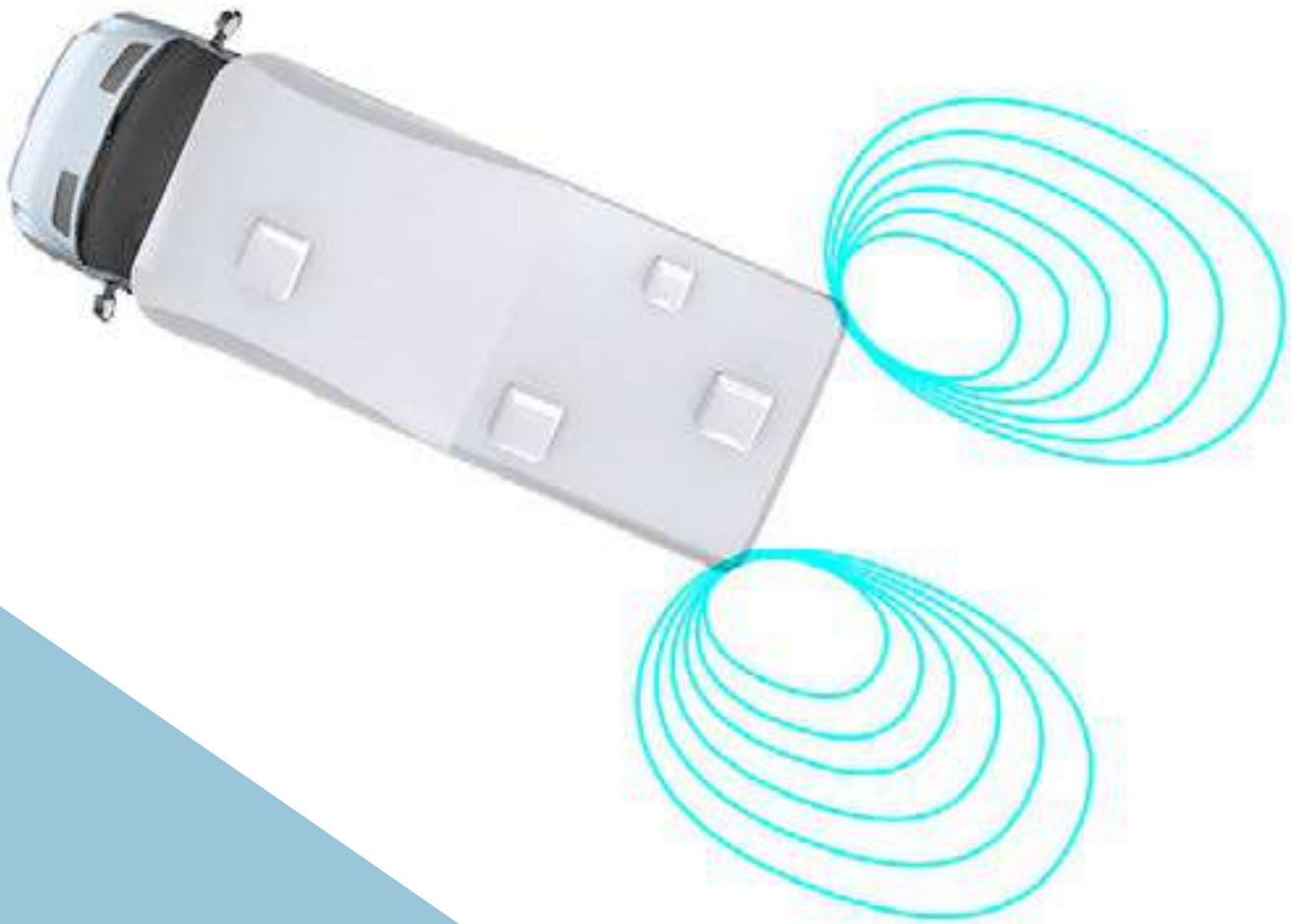


# Instruction Manual

*Microwave Blind Spot Sensor System*

RVS-122





Before Beginning Installation. . . . . 03-04

System Specifications. . . . . 05

Wiring. . . . . 06

Installation. . . . . 07-11

Alert Conditions. . . . . 12

Troubleshooting. . . . . 13

Warranty & Disclaimer. . . . . 14-15

**REAR VIEW SAFETY**  
A Safe Fleet Brand

*If you have questions about this product, contact:*

**Rear View Safety**  
**1797 Atlantic Avenue**  
**Brooklyn, NY 11233**  
**Tel: 1.800.764.1028**

IN NO EVENT SHALL SELLER OR MANUFACTURER BE LIABLE FOR ANY DIRECT OR CONSEQUENTIAL DAMAGES OF ANY NATURE, OR LOSSES OR EXPENSES RESULTING FROM ANY DEFECTIVE PRODUCT OR THE USE OF ANY PRODUCT.

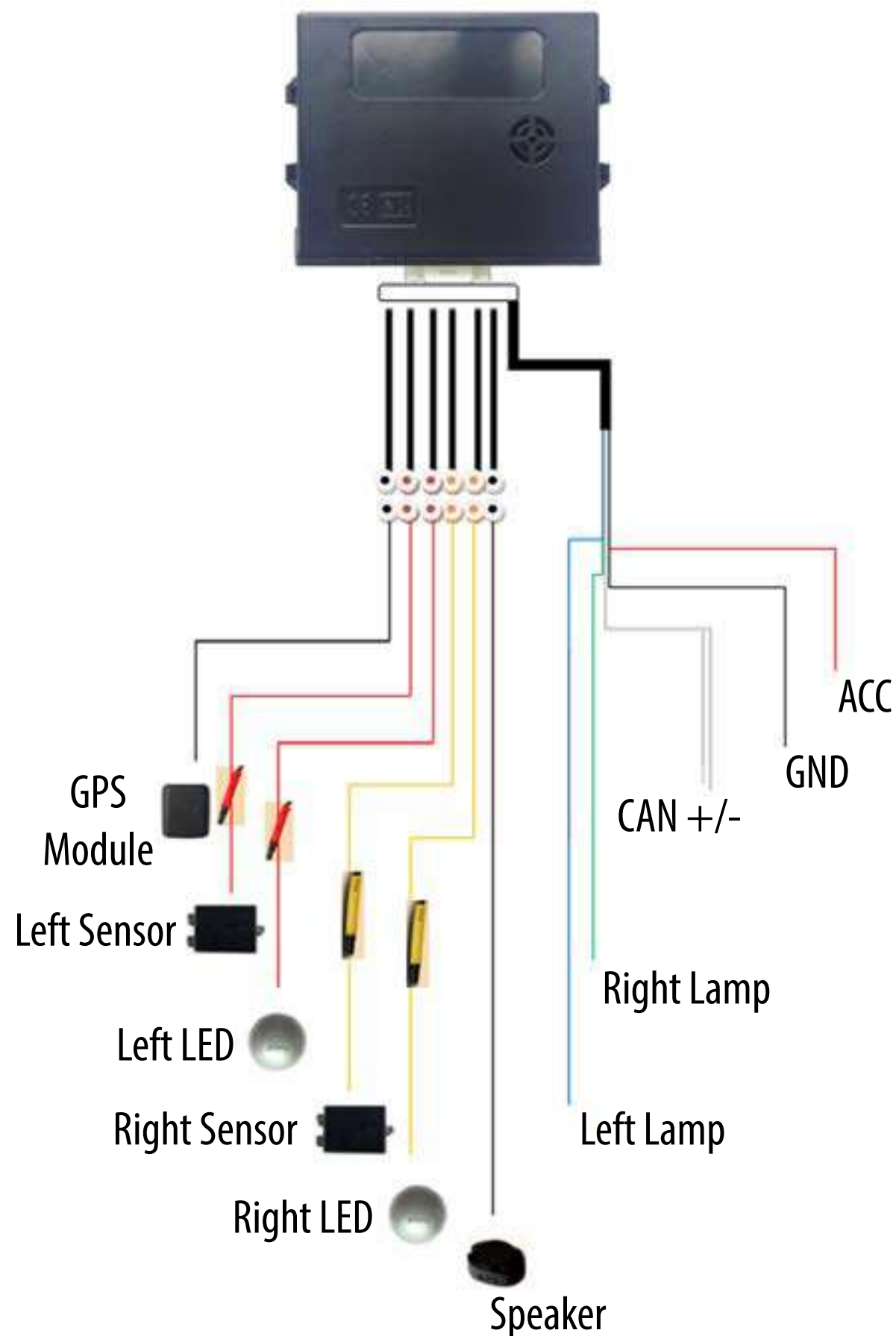
Before drilling please check that no cable or wiring is on the other side of the wall. Please clamp all wires securely to reduce the possibility of them being damaged while vehicle is in use. Keep all cables away from hot or moving parts and electrical noisy components.

***We recommend doing a benchmark test before installation to insure that all components are working properly.***

PLEASE READ THE ENTIRE MANUAL AND FOLLOW THE INSTRUCTIONS AND WARNINGS CAREFULLY. FAILURE TO DO SO CAN CAUSE SERIOUS DAMAGE AND/OR INJURY, INCLUDING LOSS OF LIFE. BE SURE TO OBEY ALL APPLICABLE LOCAL TRAFFIC AND MOTOR VEHICLE REGULATIONS AS IT PERTAINS TO THIS PRODUCT. IMPROPER INSTALLATION WILL VOID MANUFACTURER'S WARRANTY.

## System Specifications

Operating Frequency	24.0-24.25GHZ
Transmission Power	15dbm
Detection Range	40°C (Horizontal)
Simultaneous Detection	Five objects can be detected simultaneously
Speed Range	0.5mph-137mph
Speed Restriction	When GPS module is connected, notifications are activated over 20mph / If no GPS module is connected, the system will give notifications at any speed
Direction Of Movement	Approached or overtaken by vehicles
Detection Range	Truck: 1ft-60ft / Car: 1ft-50ft / Motorcycle: 1ft-33ft / Pedestrian: 1ft-23ft / Pedestrian: 1ft-23ft
Operating Voltage	9-35V
Waterproof Rating	Radar Sensors: IP65 / Cables: Not Waterproof
Working Current	<200mA
Working Temperature	-40°C ~ +85°C

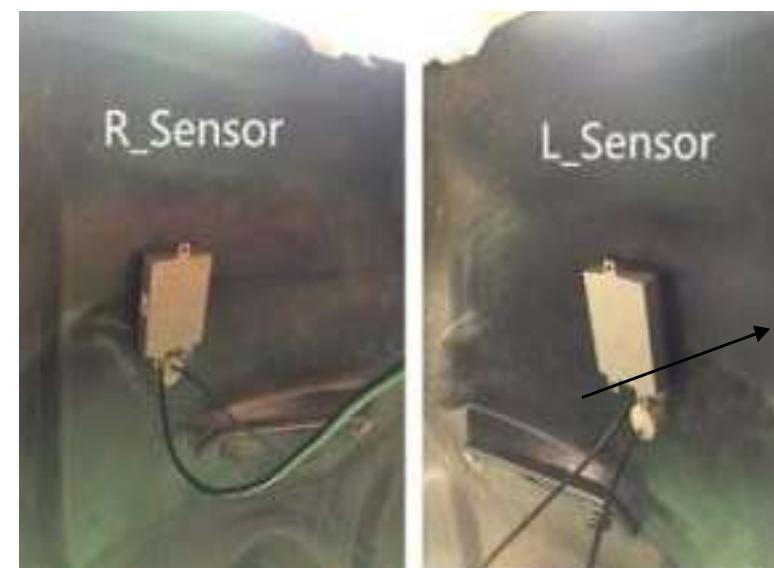


### In The Box

1 x Control Module / 1 x Power Harness / 2 x Radar Sensor  
 2 x LED Indicator / 1 x GPS Module / 1 x Speaker  
 4 x 3M Velcro Adhesive Pad

### Installation Guide

Sensors should be placed to the inner corner of the bumper with supplied Velcro. The angle should be between  $20^\circ \sim 25^\circ$  with the height ranging from 13-35 inches.



The angle should be between  $20^\circ \sim 25^\circ$  with the height ranging from 13-35 inches.

Note: Sensors do not work with metal bumpers



Step 1: Use a protractor to determine sensor placement. The angle should be between 20° ~ 25° with the high ranging from 13-35 inches.

Step 2: Locate the desired position for the sensors.



Step 3 : Remove the rear bumper to clean the surface for sensors.



Make sure surface is clean before placing velcro

Step 4: Place the provided velcro on the surface of the sensors (black side) and the desired location on the bumper (See image below).



## Turn Signal Installation

Step 5: Using a voltage multi-meter, locate the left and right turn signal trigger wires behind the tail lamp. Once verified, connect the left and right signal wires of the wire harness to the correct signal wires.



## LED Indicator Installation

Step 6: Place the LED indicators in view of the driver. Ideally they should be placed on the A-pillar or in field view side mirrors.



## Speaker Location

Step 7: While installing the speaker, make sure it is not obstructed by any panels inside the vehicle.



Step 8: Tuck the wires neatly to hide and prevent wire pinch.

## Illumination of the LED Indicator On Control Box

1. The LED comes on solid when the system is first powered up.
2. The LED blinks slowly while the GPS module connects.
3. The LED blinks quickly while sensing moving objects that are approaching in the blind spot (same frequency as to the alarm LED indicators & the buzzer).
4. The LED maintains the last blinking status after the alerts have ended.

### Alert Conditions

- 1) When the vehicle is on, the system would start detecting objects in the blind area in the lane next to/behind the vehicle within 50 feet.
- 2) When vehicles are approaching and their speed is faster than your speed.



#### Right Side Detection

R-LED indicator will be activated when there is an object approaching to the right side blind area of your vehicle. While there will always be visual alerts, audio warnings will only trigger if the turn signal is on.

#### Left Side Detection

L-LED indicator will be activated when there is an object approaching to the left side blind area of your vehicle. While there will always be visual alerts, audio warnings will only trigger if the turn signal is on.

### Troubleshooting

Issue	Reason	Solution
LED light doesn't work	Incorrect connection/ LED light broken	Check connection/replace LED light
Opposite LED indicator	Microwave sensor or LED indicators are plugged in to the op- posite connector	Make sure RED is driver side and YELLOW is pas- senger side.
Buzzer does not work	Wrong connection or pins not making con- tact / Defective buzzer speaker	Check the harness and make sure connection is correct / Replace buzzer speaker
Sensors or GPS does not work	Sensors or GPS mod- ule are covered by the metal bumper or other metal	Find the best location where the GPS antenna cannot be blocked by any metal
Unit does not work after GPS is connected	Blind spot system does not trigger the sensors if the speed is less than 20mph	Normal behavior in this case. The GPS needs to detect more than 20mph to trigger the sensors

## **ONE YEAR WARRANTY**

REAR VIEW SAFETY, INC. WARRANTS THIS PRODUCT AGAINST MATERIAL DEFECTS FOR A PERIOD OF ONE YEAR FROM DATE OF PURCHASE. WE RESERVE THE RIGHT TO REPAIR OR REPLACE ANY SUCH DEFECTIVE UNIT AT OUR SOLE DISCRETION. REAR VIEW SAFETY, INC. IS NOT RESPONSIBLE FOR A DEFECT IN THE SYSTEM AS A RESULT OF MISUSE, IMPROPER INSTALLATION, DAMAGE OR MISHANDLING OF THE ELECTRONIC COMPONENTS. REAR VIEW SAFETY, INC. IS NOT RESPONSIBLE FOR CONSEQUENTIAL DAMAGES OF ANY KIND.

THIS WARRANTY IS VOID IF: DEFECTS IN MATERIALS OR WORKMANSHIP OR DAMAGES RESULT FROM REPAIRS OR ALTERATIONS WHICH HAVE BEEN MADE OR ATTEMPTED BY OTHERS OR THE UNAUTHORIZED USE OF NONCONFORMING PARTS; THE DAMAGE IS DUE TO NORMAL WEAR AND TEAR, THIS DAMAGE IS DUE TO ABUSE, IMPROPER MAINTENANCE, NEGLIGENCE OR ACCIDENT; OR THE DAMAGE IS DUE TO USE OF THE REAR VIEW SAFETY, INC. SYSTEM AFTER PARTIAL FAILURE OR USE WITH IMPROPER ACCESSORIES.

## **WARRANTY PERFORMANCE**

DURING THE ABOVE WARRANTY PERIOD, SHOULD YOUR REAR VIEW SAFETY PRODUCT EXHIBIT A DEFECT IN MATERIAL OR WORKMANSHIP, SUCH DEFECT WILL BE REPAIRED WHEN THE COMPLETE REAR VIEW SAFETY, INC. PRODUCT IS RETURNED, POSTAGE PREPAID AND INSURED, TO REAR VIEW SAFETY, INC. OTHER THAN THE POSTAGE AND INSURANCE REQUIREMENT, NO CHARGE WILL BE MADE FOR REPAIRS COVERED BY THIS WARRANTY.

## **WARRANTY DISCLAIMERS**

NO WARRANTY, ORAL OR WRITTEN, EXPRESSED OR IMPLIED, OTHER THE ABOVE WARRANTY IS MADE WITH REGARD TO THIS REAR VIEW SAFETY, INC. REAR VIEW SAFETY, INC. DISCLAIMS ANY IMPLIED WARRANTY OR MERCHANTABILITY OR FITNESS FOR A PARTICULAR USE OR PURPOSE AND ALL OTHER WARRANTIES IN NO EVENT SHALL REAR VIEW SAFETY, INC. BE LIABLE FOR ANY INCIDENTAL, SPECIAL, CONSEQUENTIAL, OR PUNITIVE DAMAGES OR FOR ANY COSTS, ATTORNEY FEES, EXPENSES, LOSSES OR DELAYS ALLEGED TO BE AS A CONSEQUENCE OF ANY DAMAGE TO, FAILURE OF, OR DEFECT IN ANY PRODUCT INCLUDING, BUT NOT LIMITED TO, ANY CLAIMS FOR LOSS OF PROFITS.

## **DISCLAIMER**

REAR VIEW SAFETY AND/OR ITS AFFILIATES DOES NOT GUARANTEE OR PROMISE THAT THE USER OF OUR SYSTEMS WILL NOT BE IN/PART OF AN ACCIDENT OR OTHERWISE NOT COLLIDE WITH AN OBJECT AND/OR PERSON. OUR SYSTEMS ARE NOT A SUBSTITUTE FOR CAREFUL AND CAUTIOUS DRIVING OR FOR THE CONSISTENT ADHERENCE TO ALL APPLICABLE TRAFFIC LAWS AND MOTOR VEHICLE SAFETY REGULATIONS. THE REAR VIEW SAFETY PRODUCTS ARE NOT A SUBSTITUTE FOR REARVIEW MIRRORS OR FOR ANY OTHER MOTOR VEHICLE EQUIPMENT MANDATED BY LAW. OUR CAMERA SYSTEMS HAVE A LIMITED FIELD OF VISION AND DO NOT PROVIDE A COMPREHENSIVE VIEW OF THE REAR OR SIDE AREA OF THE VEHICLE. ALWAYS MAKE SURE TO LOOK AROUND YOUR VEHICLE AND USE YOUR MIRRORS TO CONFIRM REARWARD CLEARANCE AND THAT YOUR VEHICLE CAN MANEUVER SAFELY. REAR VIEW SAFETY AND/OR ITS AFFILIATES SHALL HAVE NO RESPONSIBILITY OR LIABILITY FOR DAMAGE AND/OR INJURY RESULTING FROM ACCIDENTS OCCURRING WITH VEHICLES HAVING SOME OF REAR VIEW SAFETY PRODUCTS INSTALLED AND REAR VIEW SAFETY AND/OR ITS AFFILIATES, THE MANUFACTURER, DISTRIBUTOR AND SELLER SHALL NOT BE LIABLE FOR ANY INJURY, LOSS OR DAMAGE, INCIDENTAL OR CONSEQUENTIAL, ARISING OUT OF THE USE OR INTENDED USE OF THE PRODUCT. IN NO EVENT SHALL REAR VIEW SAFETY AND/OR ITS AFFILIATES HAVE ANY LIABILITY FOR ANY LOSSES (WHETHER DIRECT OR INDIRECT, IN CONTRACT, TORT OR OTHERWISE) INCURRED IN CONNECTION WITH THE SYSTEMS, INCLUDING BUT NOT LIMITED TO DAMAGED PROPERTY, PERSONAL INJURY AND/OR LOSS OF LIFE. NEITHER SHALL REAR VIEW SAFETY AND/OR ITS AFFILIATES HAVE ANY RESPONSIBILITY FOR ANY DECISION, ACTION OR INACTION TAKEN BY ANY PERSON IN RELIANCE ON REAR VIEW SAFETY SYSTEMS, OR FOR ANY DELAYS, INACCURACIES AND/OR ERRORS IN CONNECTION WITH OUR SYSTEMS FUNCTIONS.





A Safe Fleet Brand

If you have any questions  
about this product, contact:

***Rear View Safety, Inc.  
1797 Atlantic Avenue  
Brooklyn, NY 11233  
800.764.1028***

***Better Cameras. Better Service.  
IT'S OUR GUARANTEE.***

