



MALTA DYNAMICS

Concrete Anchor Strap

Instruction Manual - A6400/ A6401

Type A

Concrete Anchor Strap INSTRUCTION MANUAL

These instructions apply to the following model(s):
A6400 / A6401 -Concrete Anchor Strap

Manual Revision:
MD-CASUIM181112

A copy of this manual must be available to users at all times. Visit www.MaltaDynamics.com for the latest user instruction manual based upon date of manufacture.

A6400



A6401



TABLE OF CONTENTS

Under Penalty of Law -----	4
Materials and Construction -----	4
Purpose -----	4
Instructions for Use -----	5
Limitations for Use -----	6
Connector Compatibility Limitations -----	8
Connecting Component Limitations -----	9
Performance -----	11
Instructions -----	11
Training -----	15
Inspection -----	15
Maintenance and Cleaning -----	16
Product Labels -----	18-19
Inspection Log -----	20
Warranty -----	21



UNDER PENALTY OF LAW

This manual must be read and understood in its entirety, and used as part of a fall protection training program, as required by OSHA or any state/local regulatory agencies. This instruction manual is intended to meet industry standards required by ANSI Z359.18-2017 and should be used as part of an Employee Fall Safety Training Program as required by OSHA. User must read and fully understand the limitations and proper use of equipment. All users must be properly trained by their employer prior to use, per OSHA 29 CFR 1910.66, 29 CFR 1926.503, and applicable local standards.

NOTE: This *User Instruction Manual* is not to be removed except by the equipment user. Current *User Instruction Manuals* must always be available to the user. Read and understand these instructions before using equipment. *Do not discard these instructions.*

WARNING

Misuse or failure to follow warnings, instructions, and limitations on the use of this equipment may result in serious personal injury or death. For further instructions about proper use, refer to a supervisor or contact Malta Dynamics at 1-800-494-1840.

MATERIALS AND CONSTRUCTION

- **Hardware:** Plated alloy steel, 5000 lbs. minimum breaking strength
- **Webbing:** Polyester with a minimum breaking strength of 5500 lbs.
- **Wear Pad:** Polyester webbing used for wear resistance only

PURPOSE

Malta Dynamics Concrete Anchor Straps are intended for use as part of a comprehensive personal fall arrest (PFAS) or personal fall restrain (PFR) system. Concrete Anchor Straps are designed for single use only and as a temporary anchorage connector for a PFAS or PFR system. Re-use may result in serious injury or death.

The Concrete Anchor Strap must never be used to lift, hang, or support equipment. When used as part of a comprehensive PFAS, workers must also use a full body harness and shock absorbing lanyard/self-retracting lifeline that limits free fall to a maximum of six feet. When used as part of a comprehensive PFRS, workers must use a full body harness OR a work positioning belt and lanyard.

INSTRUCTIONS FOR USE

WARNING

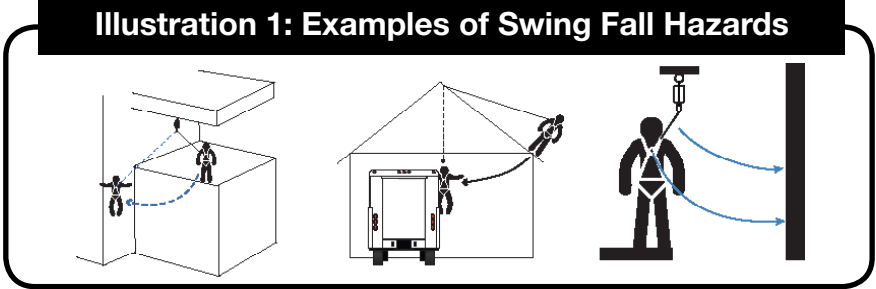
Do not alter or intentionally misuse this equipment.

- Malta Dynamics Concrete Anchor Straps exceed all applicable OSHA standards for anchorage connections and are compliant with the standards established in ANSI Z359.18-2017 standard. Employees shall be trained in accordance with the requirements of OSHA 29 CFR 1910.66 in the safe use of the system and its components before using a Personal Fall Arrest System.
- Caution the ANSI compliance and testing covers only the hardware and does not extend to the anchorage and substrate to which the anchorage connector is attached.
- Inspect all personal fall arrest system equipment for wear, damage, and other deterioration prior to each use. Remove defective components from service immediately.
- Store this equipment in a cool, dry, and clean environment that is out of direct light when not in use to prevent UV degradation.
- Do not expose this equipment to chemicals or harsh solutions that may have a harmful effect.
- All synthetic material must be protected from slag, hot sparks, open flames, or other heat sources. The use of heat resistant materials is recommended in these applications.
- User must not use or install equipment before receiving proper training from a Competent Person, as defined by OSHA 29 CFR 1926.32(f).
- Only Malta Dynamics shall make repairs or alterations to the equipment.
- This equipment must be removed from service immediately if a fall is incurred.
- Users must have a written rescue plan and the means to implement it. This plan must provide prompt employee rescue or assure that employees have the ability to rescue themselves in the event of a fall.
- Thoroughly evaluate and plan all elements of fall protection system(s) before using this equipment. Make sure that your Personal Fall Arrest System is appropriate for your needs and facility. Calculate fall clearance and swing fall clearance. The amount of clearance required is dependent on the type of connecting subsystem (rope grab, lanyard), the anchorage location, and the amount of stretch in the lifeline. When calculating distance, be sure to consider:
 - Deceleration Distance
 - Movement of harness attachment element (D-Ring)
 - Free Fall Distance
 - Height of the Worker (how tall is the worker?)
 - Elevation of Anchorage Connector
 - Connecting Subsystems Length



- **Swing Falls** occur when the anchorage point is not directly above the point of a fall. The force of striking an object in a swing may cause serious injury or death. Minimize potential for swing falls by working as close to the anchorage point as possible. Do not permit a swing fall if injury could occur. Swing falls significantly increase the amount of clearance required. **See Illustration 1.**

Illustration 1: Examples of Swing Fall Hazards



LIMITATIONS FOR USE

! WARNING

Do not use this equipment if you are unable to tolerate the impact of a fall arrest. Age and fitness can seriously affect your ability to withstand a fall. Consult with a physician if in doubt. Minors, pregnant women, and anyone with a history of back and/or neck problems must not use this equipment.

! WARNING

Use caution when employing this equipment around machines, electrical hazards, chemical hazards and sharp edges or abrasive surfaces, as contact may cause equipment failure, personal injury, or death.

! WARNING

Altering or misuse of this product could lead to injury or death.

- Use only with compatible components of subsystems. Substitutions or replacements made with non-approved components may jeopardize equipment compatibility and affect system safety and reliability.
- This equipment is designed for a single user. Combined user weight, including

clothing and tools must not exceed weight capacity.

- This equipment is designed to be used in temperatures ranging from -30°F to +130°F (-40°C - +54°C).

Anchorage Strength:

In accordance with ANSI Z359.18-2017, anchorage selected for **Personal Fall Arrest Systems must meet all** anchorage strength requirements.

- **Personal Fall Arrest:** Anchorages used for PFAS must be capable of sustaining static loads in the direction permitted by the PFAS of at least: 3,600 lbs. with certification of a qualified person; or 5,000 lbs. without certification. When more than one PFAS is attached to an anchorage, the strengths stated above must be met independently at and for each anchorage location.
- **Work Positioning:** The structure to which the work positioning system is attached must sustain static loads applied in the directions permitted by the work positioning system of at least 3,000 lbs., or twice the potential impact load, whichever is greater. See OSHA 1926.502. When more than one work positioning system is attached to an anchorage, the strengths stated above must be multiplied by the number of work positioning systems attached to the anchorage.
- **Restraint:** Anchorages selected for rescue systems must be capable of sustaining static loads of at least: 1,100 lbs. When more than one restraint and travel restraint system is attached to an anchorage, the strengths stated above must be multiplied by the number of work positioning systems attached to the anchorage.
- **Rescue:** The structure to which rescue system is attached must sustain static loads applied in the directions permitted by the work positioning system of at least 3,000 lbs., or five times the potential impact load, whichever is greater. See OSHA1926.502. When more than one work positioning system is attached to an anchorage, the strengths stated above must be multiplied by the number of work positioning systems attached to the anchorage.

Fall Arrest	Non-Certified Anchorage	5,000 lbs. (22.2kN)	Multiple Systems: When more than one of the defined systems is attached to an anchorage, the strength defined shall be multiplied by the number of systems attached to the anchorage.
	Certified Anchorage	3,600 lbs. (16.1kN)	
Restraint	Non-Certified Anchorage	1,100 lbs. (22.2kN)	
	Certified Anchorage	≥ 2 Times the Maximum Potential Impact Load	



Work Positioning	Non-Certified Anchorage	3,000 lbs. (22.2kN)	Certified Anchorage: An anchorage for Personal Fall Arrest, Work Positioning, Restraint or Rescue systems that a qualified person certified to be capable of supporting the potential fall or that meets the criteria for a certified anchorage point, as prescribed by relevant ANSI and OSHA standards.
	Certified Anchorage	≥ 2 Times the Maximum Potential Impact Load	
Rescue	Non-Certified Anchorage	3,000 lbs. (22.2kN)	
	Certified Anchorage	≥ 5 Times the Maximum Potential Impact Load	

CONNECTOR COMPATIBILITY LIMITATIONS

Malta Dynamics equipment must be coupled only to compatible connectors that are suitable to your application. Ensure all connections are compatible in size, shape and strength. Ensure all connectors are fully closed and locked. OSHA 29 CFR 1926.502 prohibits the use of snap hooks to engage to objects unless the following requirements are met:

- Snap hook must be an ANSI-style locking model.
- Snap hook must be explicitly designed for such a connection, meaning that the manufacturer of the snap hook specifically it to connect to the equipment in question.

Use of a non-locking snap hook can result in rollout (a process by which a snap hook or carabiner unintentionally disengages from another connector or the object to which it is coupled (ANSI Z359.0- 2012). Malta Dynamics connectors (snap hooks and carabiners) are designed to be used only as specified in each product's user's instructions.

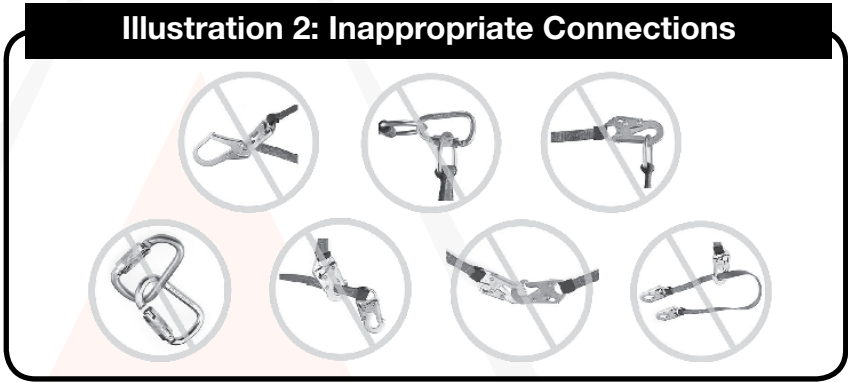
Avoid the following types of connections:

- Two or more snap hooks or carabiners attached to one D-Ring.
- A snap hook connected to its integral lanyard.
- A snap hook connected to a horizontal lifeline.
- Connection in a manner that results in a load on the gate. NOTE: *Large throat opening snap hooks should not be connected to standard size D-Rings or similar objects. This could result in a load on the gate if the hook or D-Ring twists or rotates. Large throat snap hooks are designed for use on structural elements such as rebar or cross members that are not shaped to capture the gate of the hook.*
- False engagement connections, where protruding features of the snap hook or carabiner may catch on the anchor and seem fully engaged to the anchor point. Always confirm engagement.
- Connection to snap hooks or carabiners.
- Direct connection to webbing lanyard, webbing loop, rope lanyard or tie-back

(unless the manufacturer's instructions for both the lanyard and connector specifically allow such a connection).

- A snap hook connected to a D-Ring, Rebar, or other connection point with improper dimensions/configurations could cause the snap hook keeper to become depressed by the turning motion of the snap hook; the snap hook or carabiner may not fully close and lock or roll-out may occur.

Illustration 2 depicts examples of inappropriate connections:



CONNECTING COMPONENT LIMITATIONS

- The Malta Dynamics Concrete Anchor Strap is designed for a single user only. To maintain ANSI compliance, the ANSI working capacity range is 130 lbs. to maximum 310 lbs. including clothing, tools, etc.
- Do not use if any part of the device appears to be damaged.
- Do not attempt to service the device or alter it in any way.
- The following application limitations must be recognized and considered before using this product:
- **Capacity:** This equipment is for use by one person with a combined weight (person, clothing, tools, etc.) of 130 lbs. to 310 lbs. if used in combination with equipment explicitly certified for such use.
- **Free Fall:** Lanyards used for work positioning applications must be rigged to minimize any potential vertical free fall. In no case should potential free fall be greater than two feet. For situations where free fall may exceed two feet, a backup fall arrest system should be used. If D-Ring extension assemblies are used in conjunction with a self-retracting lifeline or an energy absorbing lanyard in a fall arrest application, the length of the D-Ring extension assembly must be taken into account when calculating free fall distance and fall clearance requirements.
- **Fall Clearance:** Always ensure fall clearance distance before using lanyards equipped with energy absorbers (shock packs). If there is a risk of fall or if the



only anchorage is below the attachments points on a harness, it is essential to use a lanyard provided with an energy absorber. Before using an energy absorbing lanyard, check that there is sufficient fall clearance below the user to prevent any collision with structure or ground. **See Illustration 4.**

- **Backup Fall Arrest System:** Some applications of this equipment may require the use of a backup fall arrest system such as when using a Y-lanyard to suspend a person in an Easy Seat.

System:

- A Competent Person must ensure the compatibility of all connections and that of the system.
- Do not use the system if any component in the system does not operate properly.
- Do not use if any part of the system appears to be damaged.
- Do not use a body belt for fall arrest applications.
- Do not use this system if it has been used to arrest a fall. If it has been used to arrest a fall, it must be removed from service immediately.

PERFORMANCE

Each Malta Dynamics Concrete Anchor Strap has a minimum tensile breaking strength of 5,000 lbs. (22.2 kN) when statically tested in accordance with the requirements of the ANSI Z359.18-2017 standard.

Model/ Part #	Description (Materials & Size)	Length	ANSI Rated Capacity	Standard
A6400	Plated alloy steel hardware; polyester webbing	48"	130 - 310 lbs.	ANSI Z359.18- 2017
A6401	Polyester webbing	48"	130 - 310 lbs.	ANSI Z359.18- 2017

Applicable Standards:

Refer to national standards, including ANSI Z359.18-2017, and local, state and federal (OSHA 1910.66, appendix C, 1926.500) requirements for more information on personal fall arrest systems and associated components.

Before Each Use:

- Inspect the concrete anchor strap for any damage or soiling (dirt, oil, paint, etc.)
- Ensure self-locking snap hooks & carabiners work properly. Inspect rope or webbing for wear, cuts, burns, frayed edges, or other damage.
- **Anchorage:** Select a rigid anchorage point capable of supporting required loads. Select appropriate anchorage point that will reduce possible free fall and swing fall hazards and avoid striking an object during a fall. Anchorage should be level (horizontal) in order to prevent the connector from sliding on an incline when in use, which could cause serious injury to the user.
- **Fall Clearance:** Should a fall occur, there must be sufficient clearance in the fall area to arrest the fall before striking the ground or other object.
- **Free Fall:** Personal fall arrest systems must be rigged in such a way that the free fall does not exceed 6 ft. Avoid working above the anchorage level to avoid an increase in fall distance.
- **Fall Arrest Forces:** The assembled Personal Fall Arrest system must limit maximum arrest forces to 1800 pounds (8 kN) or less. Deceleration distance shall not be allowed to exceed 48 in.

Instructions:

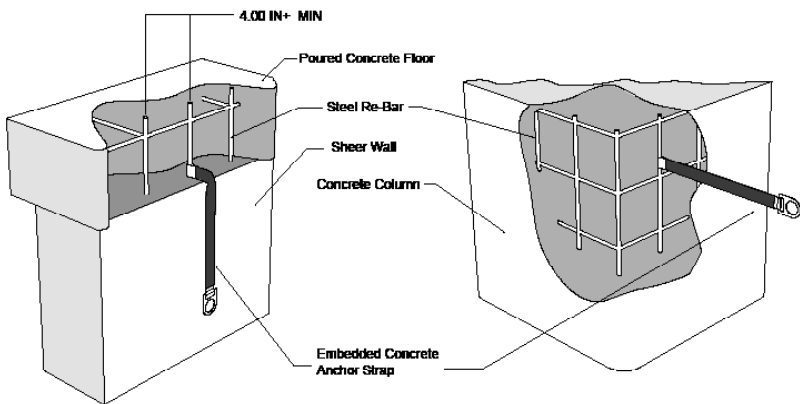
- Select a safe location for the Concrete Anchor Strap. Location must meet the OSHA required minimum anchor strength requirement. In cases of doubt please contact a qualified or competent person for more information.
- Once a section of wall of concrete column has been poured and cured, place



the looped end of the anchor onto a vertical piece of steel rebar.

- After the anchor(s) are in place, continue to pour concrete, allowing it to fully cure.
- After removing forms, anchors will remain on the face of the column or in between the seems of shear walls.
- For Reinforced Concrete Floor Slabs: A three foot length of rebar may pass through the loop end of the anchor strap and wire tied to remain tightly in place to the underside of the upper mat of rebar. This provides 3.5" of clearance. Concrete can then be poured, and anchor strap will become cast into place for use after curing is completely finished.
- Free fall distance must not exceed six feet at any time.
- Locate attachment point to the anchor at or above the connection point of the fall arrest equipment to the harness.

Illustration 3: How to Use Concrete Anchor Strap



WARNING

Do not use the Malta Dynamics Concrete Anchor Strap until concrete is fully cured. Failure to allow concrete to cure properly could result in serious injury or death.

WARNING

Do not reuse concrete embed anchor strap. After removal from area, dispose of anchor anchor strap.

Proper Connections:

- Energy absorber portion of the lanyard must be connected to the Dorsal D-Ring only.
- Do not attach the energy absorber to the anchorage.
- Do not attach the free (unused) leg of the lanyard back to the harness at any location unless a specially designed lanyard keeper is provided for this purpose.
- Connection of both lanyard legs to separate anchorage points is acceptable.
- Never connect more than one person to a Y-type lanyard.
- Do not allow any lanyard to pass under arms or legs during use.
- To connect to the Concrete Anchor Strap, use a self-locking snap hook or double-locking carabiner only.
- For proper compatibility of the anchorage end snap hook, the D-Ring, O-Ring or connection component of the anchorage connector should have an inside diameter of at least 2-1/2 times the gate opening on the snap hook.
- Ensure connections are fully closed.
- If using a shock absorbing lanyard, connect the shock absorbing component to the full body harness.
- If using a self-retracting lifeline, connect double-locking snap hook or carabiner to full body harness.
- Make sure cable/web flow is not hindered and NEVER connect more than one PFAS or PRS to a single anchor.

Connecting to a Self-Retracting Lifeline: Connecting an energy absorbing lanyard or component to a self-retracting lifeline is not recommended. Special applications exist where it may be permissible. Contact Malta Dynamics if considering connecting an energy absorbing lanyard to a self-retracting lifeline.

Knots: Knots of any kind are not approved in lanyards. Strength is drastically reduced by tie-offs using knots, tying around sharp edges, etc. Tie-offs using a knot in a rope lanyard (at any location) reduces the lanyard strength by 50 percent or more. Tie-off around an “H” or “I” beam can reduce the strength of lanyard by approximately 70 percent due to cutting action of beam edges.

Anchorage: Select a rigid anchorage point that is capable of sustaining the loads specified in LIMITATIONS FOR USE Section of this manual. For fall arrest applications, select anchorage locations that will minimize free fall and swing fall hazards. For restraint applications, locate the anchorages such that no vertical free fall is possible.

Free Fall: Maximum free fall distance allowed for use in a Personal Fall Arrest System is 6 ft. For use in a Restraint System, no vertical free fall is permitted. Do not work above the anchorage level to avoid increased free fall distance.

Fall Arrest Forces: The assembled Personal Fall Arrest system must limit maximum arrest forces to 1800 pounds (8 kN) or less. Deceleration distance shall not be allowed to exceed 48 in.



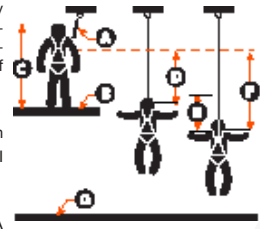
Swing Falls: Minimize swing falls by working as directly below the anchorage point as possible. Do not permit a swing fall if injury could occur.

Fall Clearance: Clearance required is dependent upon the subsystem and lanyard properties. Energy absorbers can extend the fall arrest distance by up to 48 inches. Other factors may influence the required clearance distances. Use caution when assembling system components that could extend the fall arrest distance (and therefore fall clearance required). Consider the following when calculating fall clearance:

Clearance Required is Dependent On the Following Factors:

- Elevation of Anchorage
- Connecting Subsystem Length
- Deceleration Distance
- Free-Fall Distance
- Worker Height
- D-Ring/Connector Length
- Movement of Harness Attachment Element
- Length of Full Body Harness FBH) Stretch
- Working Level

Illustration 4: Fall Clearance Considerations

- 
- A. Connecting Subsystems (Energy Absorbing Lanyard shown) Length + Movement of Harness Attachment + Length of FBH Stretch + Settling of User's Body While in the Harness
 - B. Working Level (Thickness)
 - C. Worker Height + Connector Length
 - D. Free-Fall—6' Max. (per ANSI Z359.1)
 - E. Deceleration Distance
 - F. Total Fall Distance: Sum of A through E
 - G. Lower Level or Obstruction

See Illustration 4.

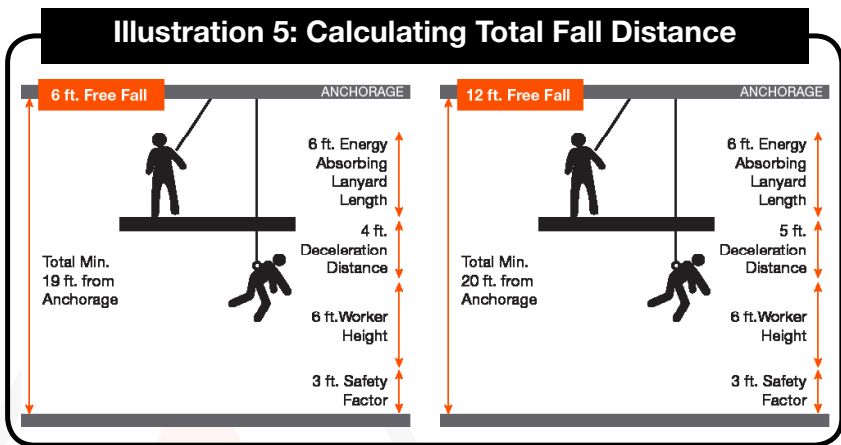
If there is a risk of fall or if the only anchorage point is below the attachment points on the harness, it is essential to use a lanyard provided with an energy absorber. Before using a shock absorbing lanyard, ensure that there is sufficient fall clearance below the user to prevent any collision with the structure or the ground.

Calculating Total Fall Distances:

Total Fall Clearance below worker is calculated from Anchorage Connection. Free Fall Distance + Working Level + Energy Absorber + Deceleration Distance + Worker Height + Connector Length + Safety Factor. Ensure that total fall distance is clear of obstructions and equipment. Avoid potential contact with a lower level.

See Illustration 5.

Illustration 5: Calculating Total Fall Distance



Sharp Edges: Avoid working where your lanyard or other system components will be in contact with, or abrade against, unprotected sharp edges.

Rescue: The employer must have a written rescue plan and the ability to implement it.

After a Fall is Incurred: Components subjected to fall arrest forces must be removed from service immediately.

Making Connections: Ensure roll-out cannot occur when using a snap hook to connect components to an anchorage. Use self-locking snap hooks and carabiners to reduce the possibility of roll-out.

- Do not attach a snap hook directly to a horizontal lifeline.
- Follow manufacturer's instructions for each component of the system.

TRAINING

Employers must provide training to any employee who may be exposed to fall hazards in order to enable the employee to recognize and reduce fall hazards. Training must be conducted by a Competent or Qualified Person. Trainer and trainees must not be exposed to fall hazards during the training course. This equipment is intended to be used by persons trained in its correct application and use.

INSPECTION

Note: Keep all instructions available for reference. Record the date of first use:

Record all observations and results of each inspection in your Hog Tracker account or inspection log. If inspection reveals any defect, inadequate maintenance, or unsafe condition, remove Concrete Anchor Strap from service immediately. Any equipment that has been subjected to the forces of arresting a fall must be



removed from service immediately.

Note: Equipment must not be altered in any way, including attempted repair. Only manufacturer, or entities authorized in writing by the manufacturer, may make repairs to this product.

- Equipment must be free of corrosion, chemical degradation, excessive heat, or extreme wear.
- All markings must be legible and attached to the equipment.
- Inspect hardware (snap hooks, adjusters, thimbles, spreader bar, etc.) for evidence of distortion, sharp edges, burrs, cracks, worn parts or corrosion.
- Make sure connecting snap hooks work correctly, move freely and lock upon closing.
- Snap hook gate spring provides tension to keep the snap hook gate closed in a locked position; snap hook must close flat and exhibit no sideways play. Ensure adjusters, if present, work properly.
- All webbing must be free of frayed or broken fiber, pulled stitches, tears, abrasions, mold, burns or discoloration.
- Inspect webbing and stitching by pressing to bend webbing over a 1½ inch diameter object. Webbing and stitching must be free of cuts, fraying or signs of wear.
- Shock absorbing devices must show no evidence of elongation or activation.
- Ensure energy absorber cover is not torn or damaged, and is securely in place.



WARNING

Harsh weather and harsh environments, prolonged use, and other extreme working conditions may require you to have this inspected by a competent or qualified person than yourself at least **once** a year.

If inspection reveals any defective condition, remove from service immediately.

MAINTENANCE & CLEANING

Wipe off all surface dirt. Wash anchor strap with a solution of water and mild detergent to clean away contaminants; wipe hardware dry with a clean cloth. Hang away from heat and allow to dry completely. Store in dry, clean environment away from direct sunlight and excessive heat. Avoid storage in areas where chemical vapors may exist. Thoroughly inspect lanyard after extended storage.

Frequency:

- All equipment must be visually inspected prior to each use according to the manufacturer's instructions included at time of shipment. Inspections must be performed by a Competent Person other than the user (as defined by OSHA) a minimum of **once** per year.
- Record the results of each formal inspection in your Hog Tracker account or inspection log.
- NOTE: Per Cal/OSHA PFAS must be inspected by a competent person at least **once** a year, in accordance with the manufacturer's recommendations, with inspection dates documented.

Repairs to the Concrete Anchor Strap can only be made by a Malta Dynamics Fall Protection representative or an entity authorized by Malta Dynamics. Contact us for all maintenance and repair needs or to inquire about a return at: 1-800-494-1840.

PRODUCT LABELS

The following labels are affixed to the product and must not be removed:



Concrete Anchor Strap 4' Web Anchor Strap

PART#: A6400

**OSHA 1926.502
ANSI Z359.18-2017
A10.32-2012**



Type: A

Material: **Polyester & Steel**

Capacity: **1 Worker**

Minimum Breaking Strength (MBS):
5000 lbs.

Service Temperature: **-30°F - +130°F**

ANSI Capacity Range: **130-310 lbs.**

OSHA Maximum Capacity: **420 lbs.**

MFG. DATE:

SERIAL#:

BATCH#:

IMPORTANT: This anchor strap is intended to connect a personal fall arrest system to an anchorage. Do not use if hardware is damaged, broken, cracked, or corroded. If webbing material is frayed, torn, burned, or if stitching is pulled, cut or broken, remove from service. Connecting snap hook must be compatible in size, shape and strength. Equipment modification voids warranty. **MAXIMUM 1 connection per anchor.**



WARNING:

Prior to use, fully read and understand manufacturer's instructions provided with this product at time of shipment. Failure to do so could result in serious injury or death.

USER MUST INSPECT EQUIPMENT PRIOR TO EACH USE. Competent Person shall indicate "pass" or "fail" status on formal inspection of equipment, conducted at least every 12 months. **If equipment fails inspection, REMOVE FROM SERVICE IMMEDIATELY.**

Inspection Date	Initials	Inspection Date	Initials	Inspection Date	Initials

DATE OF FIRST USE:

DO NOT REMOVE THIS LABEL.

Made in China



MALTA DYNAMICS

800-494-1840

210 13th Street | Malta, OH 43758

www.MaltaDynamics.com

Concrete Anchor Strap 4' Web Only Anchor Strap

PART#: A6401

OSHA 1926.502
ANSI Z359.18-2017
A10.32-2012



Type: A
Material: Polyester
Capacity: 1 Worker
Minimum Breaking Strength (MBS):
5000 lbs.
Service Temperature: -30°F - +130°F
ANSI Capacity Range: 130-310 lbs.
OSHA Maximum Capacity: 420 lbs.
MFG. DATE:
SERIAL#:
BATCH#:

IMPORTANT: This anchor strap is intended to connect a personal fall arrest system to an anchorage. Do not use if hardware is damaged, broken, cracked, or corroded. If webbing material is frayed, torn, burned, or if stitching is pulled, cut or broken, remove from service. Connecting snap hook must be compatible in size, shape and strength. Equipment modification voids warranty. MAXIMUM 1 connection per anchor.



WARNING:

Prior to use, fully read and understand manufacturer's instructions provided with this product at time of shipment. Failure to do so could result in serious injury or death.

USER MUST INSPECT EQUIPMENT PRIOR TO EACH USE. Competent Person shall indicate "pass" or "fail" status on formal inspection of equipment, conducted at least every 12 months. **If equipment fails inspection, REMOVE FROM SERVICE IMMEDIATELY.**

Inspection Date	Initials	Inspection Date	Initials	Inspection Date	Initials

DATE OF FIRST USE:

DO NOT REMOVE THIS LABEL.

Made in China



MALTA DYNAMICS

800-494-1840

210 13th Street | Malta, OH 43758

www.MaltaDynamics.com



INSPECTION LOG

Date of Manufacture: _____
Model Name/Number: _____
Serial: _____
Date of First Use: _____

Inspection Date	Items Noted	Corrective Action	Approved By

WARRANTY

THE FOLLOWING IS MADE IN LIEU OF ALL WARRANTIES OR CONDITIONS, EXPRESS OR IMPLIED, INCLUDING THE IMPLIED WARRANTIES OR CONDITIONS OF MERCHANTABILITY OR FITNESS FOR A PARTICULAR PURPOSE. Equipment offered by Malta Dynamics is warranted against factory defects in workmanship and materials for a period of one year from date of installation or first use by the original owner. LIMITED REMEDY: Upon notice in writing, Malta Dynamics will repair or replace all defective items at Malta Dynamics's sole discretion. Malta Dynamics reserves the right to require that the defective item be returned to its plant for inspection before determining the appropriate course of action. Warranty does not cover equipment damage resulting from wear, abuse, damage in transit, failure to maintain the product or other damage beyond the control of Malta Dynamics. Malta Dynamics shall be the sole judge of product condition and warranty options. This warranty applies only to original purchaser and is the only warranty applicable to this product. Please contact Malta Dynamics customer service department at 800-494-1840 for assistance. LIMITATION OF LIABILITY: IN NO EVENT WILL MALTA DYNAMICS BE LIABLE FOR ANY INDIRECT, INCIDENTAL, SPECIAL OR CONSEQUENTIAL DAMAGES INCLUDING, BUT NOT LIMITED TO LOSS OF PROFITS, IN ANY WAY RELATED TO THE PRODUCTS REGARDLESS OF THE LEGAL THEORY ASSERTED.

